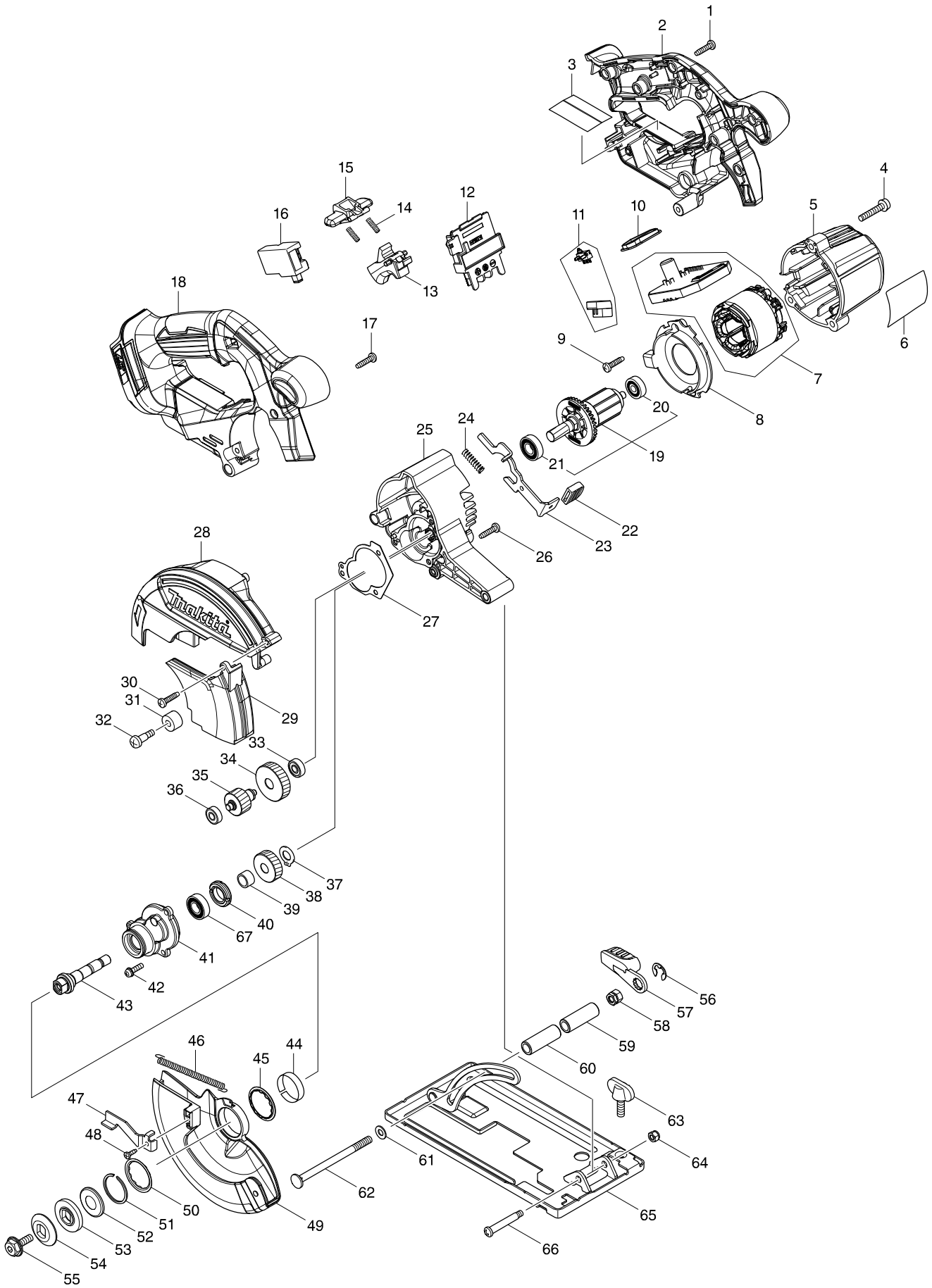


Model No. DCS551 150MM CORDLESS METAL CUTTER



Model No. DCS551 150MM CORDLESS METAL CUTTER

Item	Parts No.	Description	I/C	Qty	N/O	Sales	Purch.	Note
001	265995-6	TAPPING SCREW 4X18		8				
002	183B24-4	HANDLE SET		1				
C10	263005-3	RUBBER PIN 6		2				
D10		INC. 18						
004	911253-5	PAN HEAD SCREW M5X30		3				
005	455900-3	MOTOR HOUSING		1				
006	850X99-7	DCS551 NAME PLATE		1				
007	632E36-7	STATOR UNIT		1				
008	455897-6	BAFFLE PLATE		1				
009	265995-6	TAPPING SCREW 4X18		2				
010	142948-1	INDICATION PLATE COMPLETE		1				
011	632E44-8	SWITCH UNIT		1				
012	643899-6	TERMINAL		1				
013	455480-9	SWITCH LEVER		1				
014	231469-9	COMPRESSION SPRING 4		2				
015	419664-3	LOCK OFF LEVER		1				
016	650734-1	SWITCH TG73BDS-2		1				
017	265995-6	TAPPING SCREW 4X18		2				
018	183B24-4	HANDLE SET		1				
C10	263005-3	RUBBER PIN 6		2				
D10		INC. 2						
019	519365-4	ROTOR ASS'Y		1				
D10		INC. 20,21						
020	210022-4	BALL BEARING 626DDW		1				
021	210069-8	BALL BEARING 6900DDW		1				
022	286275-7	CAP		1				
023	346885-3	SHAFT LOCK		1				
024	233117-6	COMPRESSION SPRING 6		1				
025	143229-6	GEAR HOUSING COMPLETE		1				
C10	213961-7	O RING 22		1				
026	265995-6	TAPPING SCREW 4X18		2				
027	424715-9	GASKET		1				
028	455899-2	BLADE CASE		1				
029	455898-4	BLADE COVER		1				
030	265995-6	TAPPING SCREW 4X18		1				
031	262511-5	RUBBER SLEEVE 6		1				
032	265115-2	+ PAN HEAD SCREW M5		1				
033	210065-6	BALL BEARING 625ZZ		1				
034	227809-7	HERICAL GEAR 30		1				
035	227807-1	HERICAL GEAR 17		1				
036	210033-9	BALL BEARING 696ZZ		1				
037	961005-4	RETAINING RING S-9		1				
038	227808-9	HERICAL GEAR 24		1				
039	257728-3	SLEEVE 10		1				
040	285847-5	BEARING RETAINER 14-23		1				
041	143228-8	BEARING BOX COMPLETE		1				
C10	263002-9	RUBBER PIN 4		1				
042	911128-8	PAN HEAD SCREW M4X16		3				

Model No. DCS551 150MM CORDLESS METAL CUTTER

Item	Parts No.	Description	I/C	Qty	N/O	Sales	Purch.	Note
043	326540-3	SPINDLE		1				
044	345470-9	THICKNESS RING		1				
045	345739-1	SPACER		1				
046	231792-2	TENSION SPRING 3		1				
047	272285-0	LEVER 48		1				
048	266007-8	TAPPING SCREW BIND PT 3X10		1				
049	143155-9	SAFETY COVER COMPLATE		1				
050	345739-1	SPACER		1				
051	257938-2	RETAINING RING(EXT) WR-26		1				
052	267802-9	CUP WASHER 13		1				
053	224391-7	INNER FLANGE 30		1				
054	224404-4	OUTER FLANGE 30		1				
055	266925-0	HEX.SOCKET HEX.BOLT M6X18		1				
056	257982-9	BOW STOP RING E-8		1				
057	272272-9	LEVER 45		1				
058	264096-7	HEX. NUT M6		1				
059	331719-3	PIPE 9		1				
060	331719-3	PIPE 9		1				
061	941151-9	FLAT WASHER 6		1				
062	266195-1	CAP SQUARE BOLT M6X90		1				
063	251896-4	SCREW M5X20		1				
064	252103-8	HEX. LOCK NUT M5-8		1				
065	161326-6	BASE		1				
066	265056-2	+ PAN HEAD SCREW M5		1				
067	210069-8	BALL BEARING 6900DDW		1				
A01	192219-6	SAFETY GOGGLE		1				
A02	783203-8	HEX. WRENCH 5		1				
A03	B-46296	T.C.T SAW BLADE 150X20X32T		1				
A04A	821551-8	CONNECTOR PLASTIC CASE (TYPE3)		1				
C10	453974-8	LATCH		4				
A05A	838269-4	INNER TRAY		1				
A06A	806R43-6	DCS551RMJ INDICATION LABEL		1				
A07A	806R45-2	DCS551RMJ PLASTIC CASE LABEL		2				
A08A	***DC18RC	DC18RC FAST CHARGER		1				
A09A	196399-0	BATTERY BL1840 SET		2	*			
A09-1A	197265-4	BATTERY BL1840B SET	<	2				
A10A	450128-8	BATTERY COVER		1				