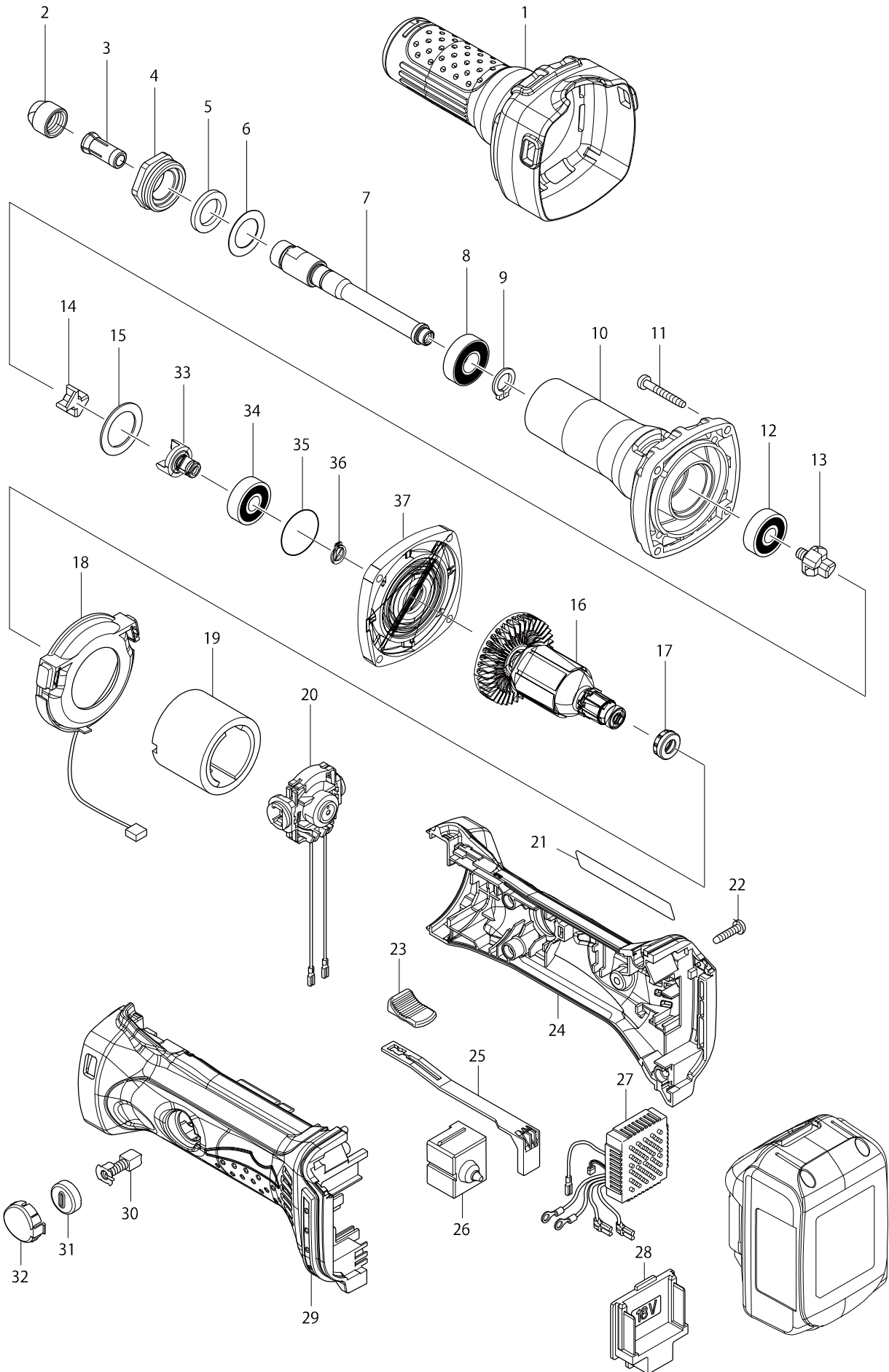


Model No. DGD800 CORDLESS DIE GRINDER



Model No. DGD800 CORDLESS DIE GRINDER

Item	Parts No.	Description	I/C	Qty	N/O	Sales	Purch.	Note
001	424380-4	INSULATION COVER		1				
002	763668-0	COLLET NUT		1				
003	763670-3	COLLET CONE 6		1				
004	317999-5	BEARING RETAINER		1				
005	443124-3	FELT RING 17		1				
006	267329-9	FLAT WASHER 18		1				
007	326010-2	SPINDLE		1				
008	210106-8	BALL BEARING 6001LLB		1				
009	961052-5	RETAINING RING S-12		1				
010	318000-9	BARREL		1				
011	266361-0	TAPPING SCREW 4X30		4				
012	210042-8	BALL BEARING 629LLB		1				
013	324639-8	COUPLING		1				
014	421942-9	SPACER		1				
015	267126-3	FLAT WASHER 22		1				
016	619284-5	ARMATURE		1				
D10		INC. 17						
017	421977-0	RUBBER RING 13		1				
018	631714-6	LED CIRCUIT		1				
019	638627-2	YOKE UNIT		1				
020	638448-2	ENDBELL COMPLETE		1				
021D	815P35-2	DGD800 NAME PLATE		1				
021E	815P35-2	DGD800 NAME PLATE		1				
021F	815P35-2	DGD800 NAME PLATE		1				
022	266326-2	TAPPING SCREW 4X18		5				
023	419566-3	SWITCH KNOB		1				
024	187839-9	HOUSING SET		1				
C10	263005-3	RUBBER PIN 6		2				
D10		INC. 29						
025	419519-2	SWITCH LEVER		1				
026	650579-7	SWITCH 1246.3223		1				
027	620243-4	CONTROLLER		1				
028	644808-8	TERMINAL		1				
029	187839-9	HOUSING SET		1				
C10	263005-3	RUBBER PIN 6		2				
D10		INC. 24						
030	191971-3	CARBON BRUSH CB-430		1				
031	643929-3	BRUSH HOLDER CAP		2				
032	419518-4	HOLDER CAP COVER		2				
033	326009-7	COUPLING		1				
034	210042-8	BALL BEARING 629LLB		1				
035	213445-5	O-RING 26		1				
036	961005-4	RETAINING RING S-9		1				
037	317821-6	GEAR HOUSING COVER		1				
A01	781039-9	WRENCH 13		2				
A02E	450128-8	BATTERY COVER		1				
A02F	450128-8	BATTERY COVER		1				
A03E	***DC18RC	DC18RC FAST CHARGER		1				

