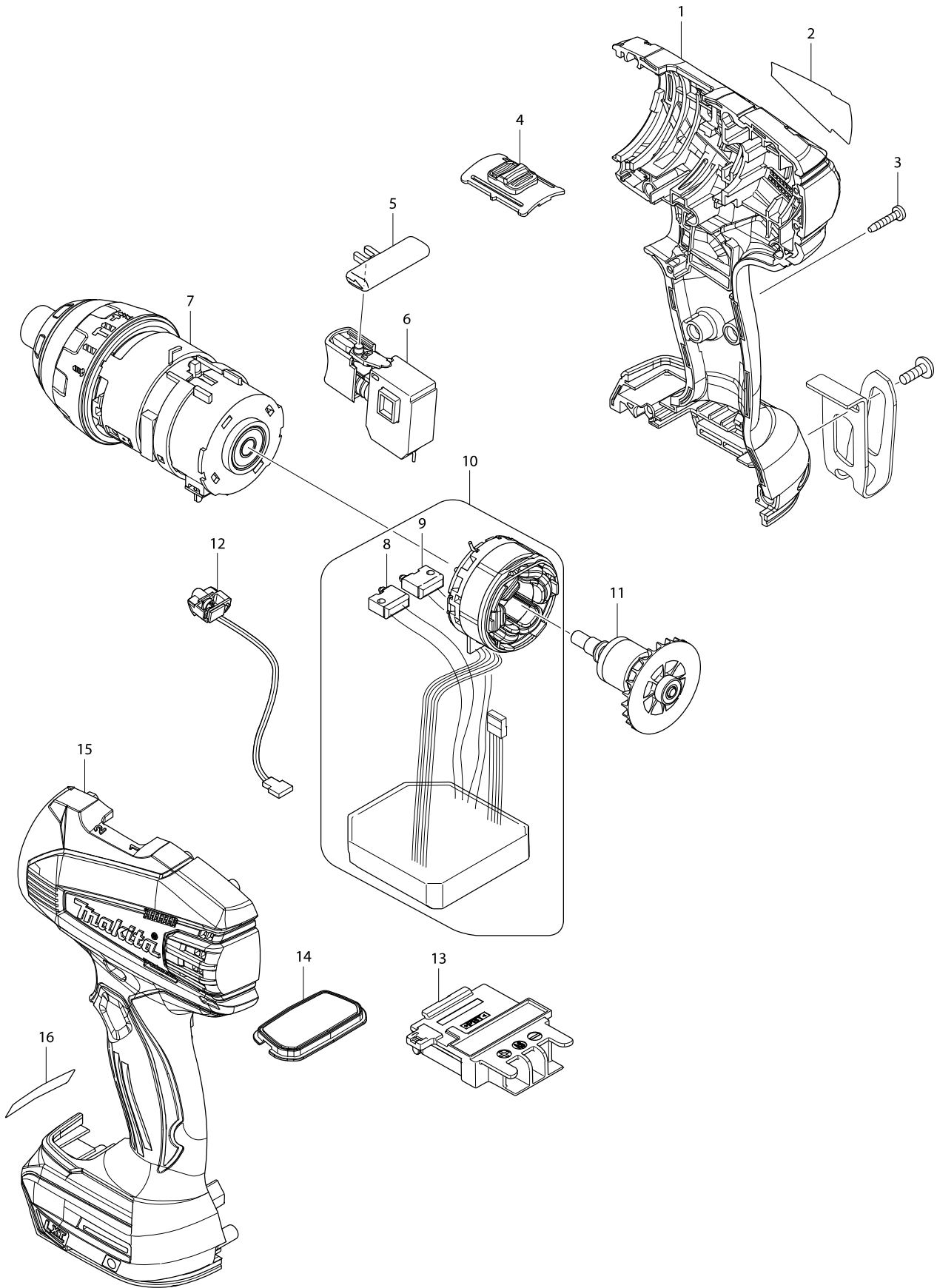
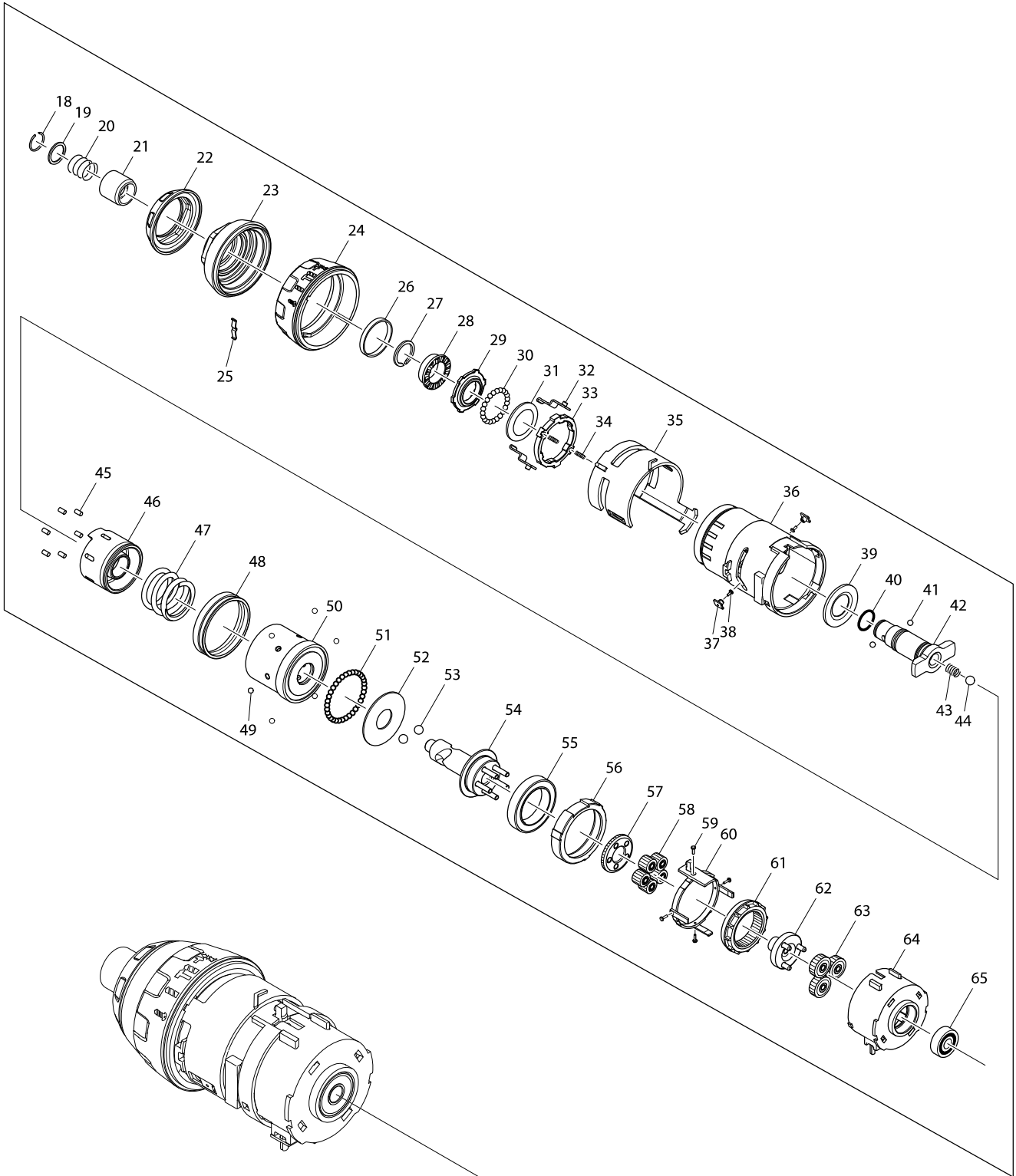


# Model No. DTP141 CORDLESS 4 MODE IMPACT DRIVER



# Model No. DTP141 CORDLESS 4 MODE IMPACT DRIVER



# Model No. DTP141 CORDLESS 4 MODE IMPACT DRIVER

Item	Parts No.	Description	I/C	Qty	N/O	Sales	Purch.	Note
001	187269-4	HOUSING SET		1				
C10	263005-3	RUBBER PIN 6		2				
D10		INC. 15						
002	815U19-0	DTP141 NAME PLATE		1				
003	266130-9	TAPPING SCREW BIND PT 3X16		9				
004	126105-9	SPEED CHANGE LEVER ASSEMBLY		1				
C10	234232-9	COMPRESSION SPRING 3		2				
005	419041-9	F/R CHANGE LEVER		1				
006	650673-5	SWITCH C3JW-1A		1				
007	126340-9	IMPACT ASSEMBLY N		1				
D10		INC. 18-65						
008	638958-9	SWITCH UNIT		1				
009	638959-7	SWITCH UNIT		1				
010	638899-9	STATOR COMPLETE		1				
D10		INC. 8,9						
011	619292-6	ROTOR		1				
012	620092-9	LED CIRCUIT		1				
013	643860-3	TERMINAL		1				
014	141268-0	SWITCH PLATE COMPLETE		1				
015	187269-4	HOUSING SET		1				
C10	263005-3	RUBBER PIN 6		2				
D10		INC. 1						
018	231951-8	RING SPRING 11		1				
019	267085-1	FLAT WASHER 12		1				
020	233005-7	COMPRESSION SPRING 13		1				
021	324420-7	SLEEVE		1				
022	424485-0	BAMPER		1				
023	135505-2	HAMMER CASE ASS'Y		1				
024	453321-3	CHANGE RING		1				
025	232272-1	LEAF SPRING		1				
026	257809-3	SLEEVE 24		1				
027	961085-0	RETAINING RING WR-15		1				
028	223175-0	CAM A		1				
029	223176-8	CAM B		1				
030	216019-1	STEEL BALL 3		22				
031	267839-6	CUP WASHER		1				
032	346560-1	HAMMER CHANGE PLATE		2				
033	313227-6	HAMMER CHANGE RING		1				
034	234231-1	COMPRESSION SPRING 2		2				
035	453320-5	CHANGE CASE		1				
036	135504-4	GEAR CASE ASS'Y		1				
037	453324-7	PIN GUIDE		2				
038	256537-7	FLAT FILLISTER HD. PIN 1.2-3.5		2				
039	261130-4	NYLON WASHER 15		1				
040	213166-9	O RING 12.5		1				
041	216001-0	STEEL BALL 3.5		2				
042	326125-5	ANVIL N		1				
043	234233-7	COMPRESSION SPRING 5		1				

