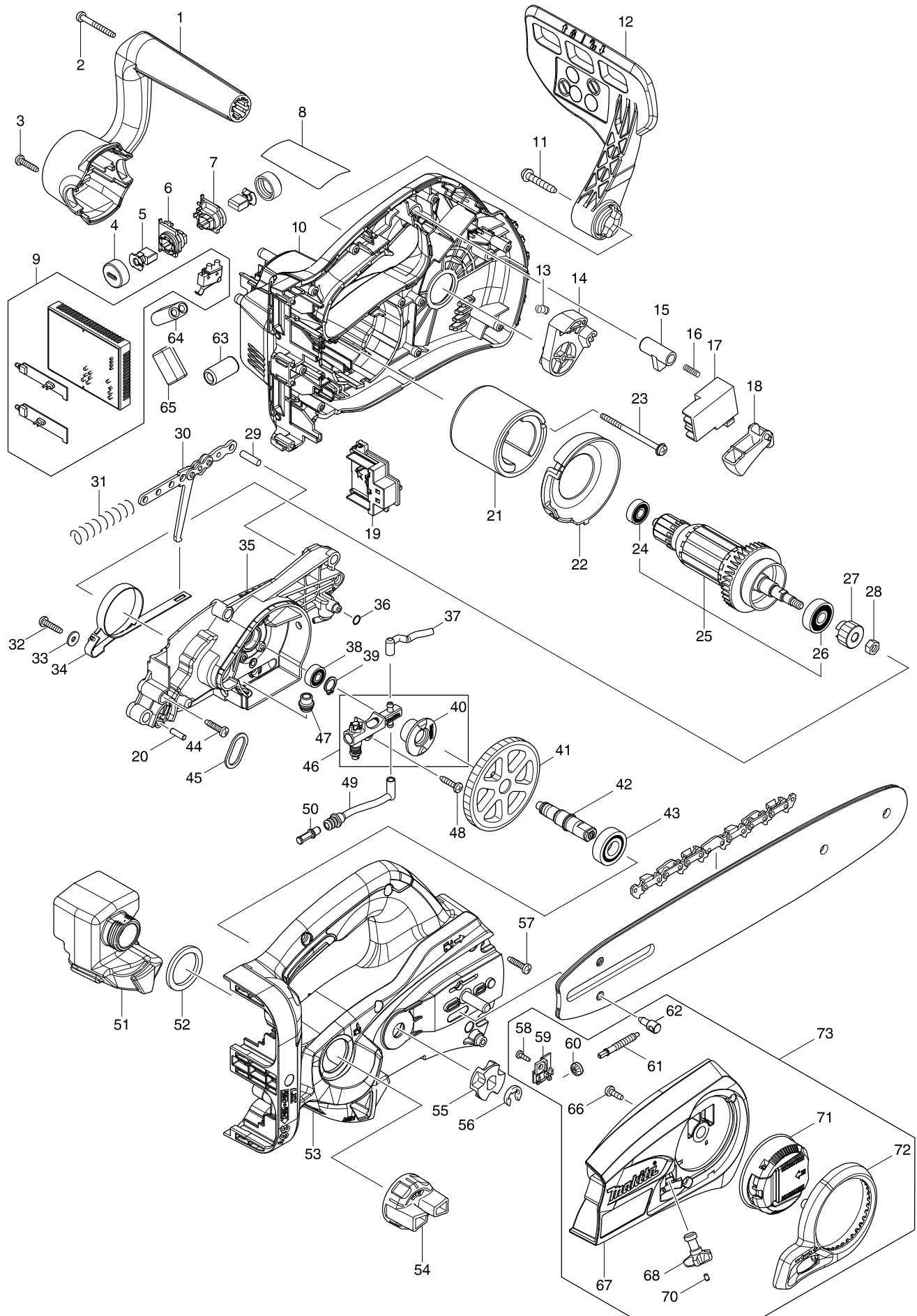


# Model No. DUC302 300MM CORDLESS CHAIN SAW



# Model No. DUC302 300MM CORDLESS CHAIN SAW

| Item | Parts No. | Description               | I/C | Qty | N/O | Sales | Purch. | Note |
|------|-----------|---------------------------|-----|-----|-----|-------|--------|------|
| 001  | 451972-6  | FRONT HANDLE              |     | 1   |     |       |        |      |
| 002  | 266053-1  | TAPPING SCREW 4X35        |     | 1   |     |       |        |      |
| 003  | 265995-6  | TAPPING SCREW 4X18        |     | 2   |     |       |        |      |
| 004  | 643941-3  | BRUSH HOLDER CAP          |     | 2   |     |       |        |      |
| 005  | 194928-3  | CARBON BRUSH CB-442       |     | 1   |     |       |        |      |
| 006  | 644514-5  | BRUSH HOLDER              |     | 1   |     |       |        |      |
| 007  | 644513-7  | BRUSH HOLDER              |     | 1   |     |       |        |      |
| 008  | 815R34-6  | DUC302 NAME PLATE         |     | 1   |     |       |        |      |
| 009  | 620275-1  | CONTROLLER                |     | 1   |     |       |        |      |
| 010  | 187882-8  | HOUSING SET               |     | 1   |     |       |        |      |
| C10  | 263005-3  | RUBBER PIN 6              |     | 4   |     |       |        |      |
| D10  |           | INC. 53                   |     |     |     |       |        |      |
| 011  | 266173-1  | TAPPING SCREW 5X30        |     | 1   |     |       |        |      |
| 012  | 142574-6  | FRONT HAND GUARD COMPLETE |     | 1   |     |       |        |      |
| C10  | 803G42-3  | CAUTION LABEL             |     | 1   |     |       |        |      |
| 013  | 231298-0  | COMPRESSION SPRING 6      |     | 1   |     |       |        |      |
| 014  | 451973-4  | HAND GUARD SUPPORT        |     | 1   |     |       |        |      |
| 015  | 416178-3  | LOCK-OFF BUTTON           |     | 1   |     |       |        |      |
| 016  | 233173-6  | COMPRESSION SPRING 4      |     | 1   |     |       |        |      |
| 017  | 650730-9  | SWITCH TG72BD-6           |     | 1   |     |       |        |      |
| 018  | 450212-9  | SWITCH LEVER              |     | 1   |     |       |        |      |
| 019  | 644808-8  | TERMINAL                  |     | 2   |     |       |        |      |
| 020  | 256184-4  | PIN 4                     |     | 1   |     |       |        |      |
| 021  | 638571-3  | YOKE UNIT                 |     | 1   |     |       |        |      |
| 022  | 451970-0  | BAFFLE PLATE              |     | 1   |     |       |        |      |
| 023  | 266292-3  | TAPPING SCREW 4X65        |     | 2   |     |       |        |      |
| 024  | 210062-2  | BALL BEARING 607ZZ        |     | 1   |     |       |        |      |
| 025  | 519268-2  | ARMATURE ASS'Y 36V        |     | 1   |     |       |        |      |
| D10  |           | INC. 24,26                |     |     |     |       |        |      |
| 026  | 211092-6  | BALL BEARING 629DDW       |     | 1   |     |       |        |      |
| 027  | 227252-0  | SPUR GEAR 16              |     | 1   |     |       |        |      |
| 028  | 252186-8  | HEX. NUT M6               |     | 1   |     |       |        |      |
| 029  | 256123-4  | PIN 5                     |     | 1   |     |       |        |      |
| 030  | 158047-9  | LINK PLATE COMPLETE       |     | 1   |     |       |        |      |
| 031  | 233175-2  | COMPRESSION SPRING 9      |     | 1   |     |       |        |      |
| 032  | 265995-6  | TAPPING SCREW 4X18        |     | 1   |     |       |        |      |
| 033  | 267195-4  | FLAT WASHER 4             |     | 1   |     |       |        |      |
| 034  | 168321-7  | BRAKE BAND                |     | 1   |     |       |        |      |
| 035  | 142573-8  | BEARING HOUSING COMPLETE  |     | 1   |     |       |        |      |
| C10  | 263002-9  | RUBBER PIN 4              |     | 1   |     |       |        |      |
| C20  | 414377-1  | NOZZLE                    |     | 1   |     |       |        |      |
| 036  | 213039-6  | O RING 6                  |     | 1   |     |       |        |      |
| 037  | 422058-3  | CONNECTOR                 |     | 1   |     |       |        |      |
| 038  | 210028-2  | BALL BEARING 606ZZ        |     | 1   |     |       |        |      |
| 039  | 961006-2  | RETAINING RING S-10       |     | 1   |     |       |        |      |
| 040  | 221427-3  | WORM GEAR                 |     | 1   |     |       |        |      |
| 041  | 227251-2  | SPUR GEAR 73              |     | 1   |     |       |        |      |
| 042  | 326417-2  | SPINDLE                   |     | 1   |     |       |        |      |

# Model No. DUC302 300MM CORDLESS CHAIN SAW

| Item   | Parts No. | Description             | I/C | Qty | N/O | Sales | Purch. | Note |
|--------|-----------|-------------------------|-----|-----|-----|-------|--------|------|
| 043    | 210109-2  | BALL BEARING 6001DDW    |     | 1   |     |       |        |      |
| 044    | 265995-6  | TAPPING SCREW 4X18      |     | 3   |     |       |        |      |
| 045    | 310593-2  | HANGER                  |     | 1   |     |       |        |      |
| 046A   | 196419-0  | OIL PUMP SET            |     | 1   | *   |       |        |      |
| D10    |           | INC. 40                 |     |     | *   |       |        |      |
| 046B   | 196419-0  | OIL PUMP SET            |     | 1   | *   |       |        |      |
| D10    |           | INC. 40                 |     |     | *   |       |        |      |
| 046-1A | 142156-4  | OIL PUMP COMPLETE       | <   | 1   |     |       |        |      |
| 046-1B | 142156-4  | OIL PUMP COMPLETE       | <   | 1   |     |       |        |      |
| 046-1C | 142156-4  | OIL PUMP COMPLETE       |     | 1   |     |       |        |      |
| 047    | 424629-2  | GROMMET                 |     | 1   |     |       |        |      |
| 048    | 265995-6  | TAPPING SCREW 4X18      |     | 1   |     |       |        |      |
| 049    | 422057-5  | CONNECTOR               |     | 1   |     |       |        |      |
| 050    | 450437-5  | FILTER                  |     | 1   |     |       |        |      |
| 051    | 455121-7  | OIL TANK                |     | 1   |     |       |        |      |
| 052    | 424326-0  | SPONGE SHEET            |     | 1   |     |       |        |      |
| 053    | 187882-8  | HOUSING SET             |     | 1   |     |       |        |      |
| C10    | 263005-3  | RUBBER PIN 6            |     | 4   |     |       |        |      |
| D10    |           | INC. 10                 |     |     |     |       |        |      |
| 054    | 158810-0  | TANK CAP COMPLETE       |     | 1   |     |       |        |      |
| 055    | 221526-1  | SPROCKET                |     | 1   |     |       |        |      |
| 056    | 961014-3  | STOP RING E-8           |     | 1   |     |       |        |      |
| 057    | 265995-6  | TAPPING SCREW 4X18      |     | 9   |     |       |        |      |
| 058    | 266020-6  | TAPPING SCREW 4X12      |     | 1   |     |       |        |      |
| 059    | 454818-5  | COVER                   |     | 1   |     |       |        |      |
| 060    | 227496-2  | STRAIGHT BEVEL GEAR 14  |     | 1   |     |       |        |      |
| 061    | 326372-8  | ADJUST SCREW            |     | 1   |     |       |        |      |
| 062    | 326310-0  | ADJUST PIN              |     | 1   |     |       |        |      |
| 066    | 266020-6  | TAPPING SCREW 4X12      |     | 3   |     |       |        |      |
| 067    | 142571-2  | SPROCKET COVER COMPLETE |     | 1   |     |       |        |      |
| 068    | 142665-3  | DRIVE GEAR COMPLETE     |     | 1   |     |       |        |      |
| 070    | 263002-9  | RUBBER PIN 4            |     | 1   |     |       |        |      |
| 071    | 142235-8  | NUT COMPLETE            |     | 1   |     |       |        |      |
| 072    | 454819-3  | NUT COVER               |     | 1   |     |       |        |      |
| 073    | 196779-0  | SPROCKET COVER SET      |     | 1   |     |       |        |      |
| D10    |           | INC. 58-62,66-68,70-72  |     |     |     |       |        |      |
| A01    | 165245-8  | GUIDE BAR               |     | 1   |     |       |        |      |
| A02    | 419288-5  | CHAIN COVER             |     | 1   |     |       |        |      |
| A03    | 196740-7  | SAW CHAIN SET           |     | 1   |     |       |        |      |
| A04A   | ***DC18RC | DC18RC FAST CHARGER     |     | 1   |     |       |        |      |
| A04C   | ***DC18RC | DC18RC FAST CHARGER     |     | 1   |     |       |        |      |
| A05A   | 194204-5  | BATTERY BL1830 SET      |     | 2   | *   |       |        |      |
| A05C   | 196399-0  | BATTERY BL1840 SET      |     | 2   | *   |       |        |      |
| A05-1A | 194204-5  | BATTERY BL1830 SET      | O   | 2   |     |       |        |      |
| A05-1C | 197265-4  | BATTERY BL1840B SET     | <   | 2   |     |       |        |      |
|        |           |                         |     |     |     |       |        |      |
|        |           |                         |     |     |     |       |        |      |
|        |           |                         |     |     |     |       |        |      |