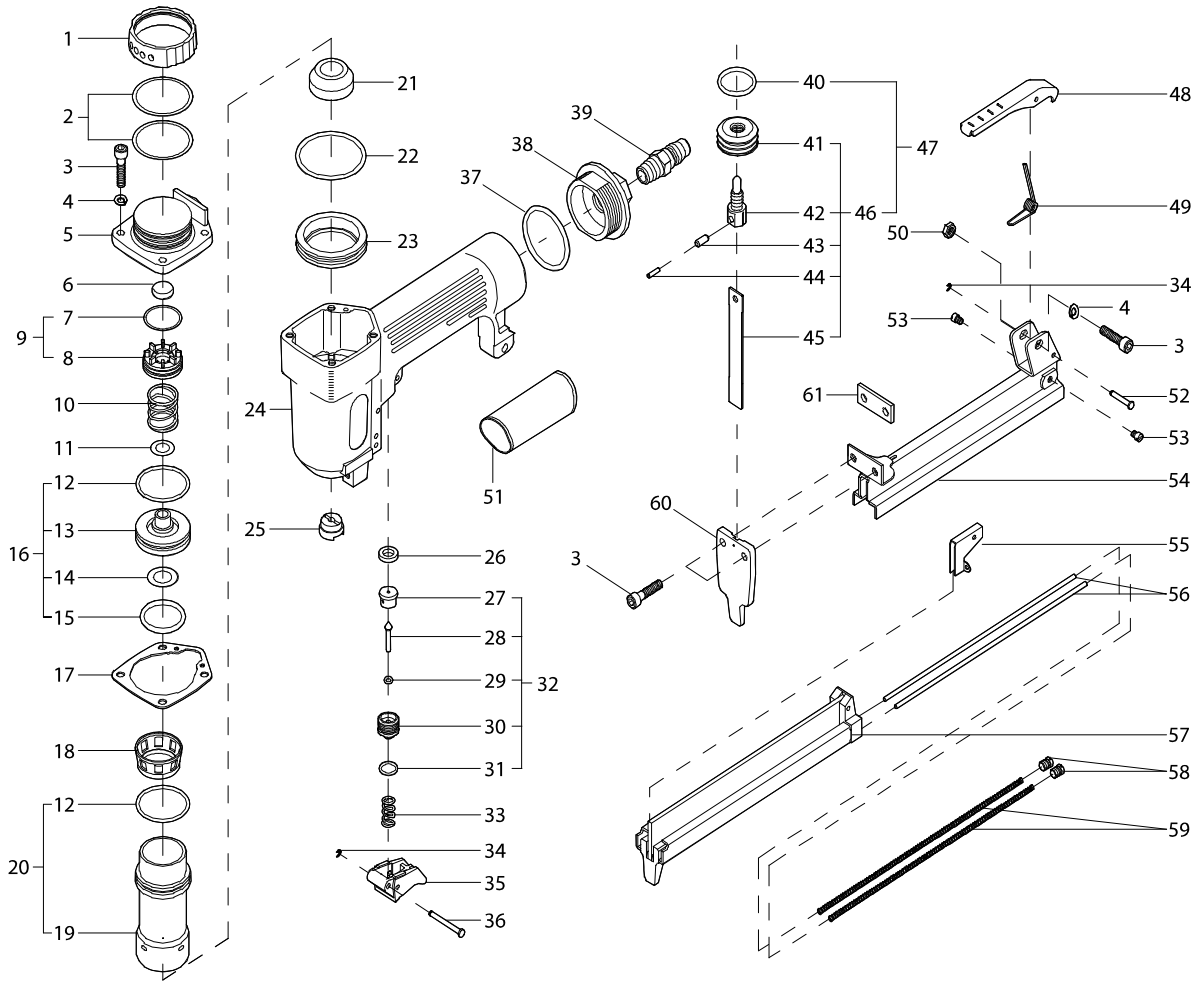


Model No. AT422AZ PNEUMATIC AIR STAPLER



Model No. AT422AZ PNEUMATIC AIR STAPLER

Item	Parts No.	Description	I/C	Qty	N/O	Sales	Purch.	Note
001	A0304-0301	EXHAUST VALVE COLLAR		1				
002	A0200-0191	O RING 35.5X1.8		2				
003	A0000-0101	SCREW 5X22		7				
004	A0005-0031	WASHER #5X1.1T		5				
005	A0301-0141	CYLINDER CAP		1				
006	A0311-0121	SEAL,AIR		1				
007	A0200-0241	O RING 22X1.5		1				
008	A0314-0141	EXHAUST VALVE SITE		1				
009	K0300-0671	EXHAUST VALVE ASS'Y		1				
010	A0100-0221	SPRING		1				
011	A0200-0231	O RING 9.8X2.4		1				
012	A0200-0071	O RING 31X2.5		2				
013	A0308-0241	FIRING VALVE PISTON		1				
014	A0200-0251	O RING 13X3		1				
015	A0200-0081	O RING 25X3.5		1				
016	K0300-0621	HEAD VALVE PISTON SET		1				
017	A0205-0111	GASKET		1				
018	A0305-0071	COLLAR		1				
019	A0303-0011	CYLINDER		1				
020	K0300-0861	CYLINDER SET		1				
021	A0309-0011	BUMPER		1				
022	A0200-0911	O RING 39.4X3.1		1				
023	A0800-0381	SPACER		1				
024	A0401-1161	BODY		1				
025	A0310-0241	NOZZLE		1				
026	A0505-0041	SEAL,AIR		1				
027	A0503-0211	TRIGGER VALVE HEAD "POM"		1				
028	A0504-0001	TRIGGER VALVE STEM		1				
029	A0200-0321	O-RING 3.8X1.5		1				
030	A0503-0041	TRIGGER VALVE GUIDE		1				
031	A0200-0331	O-RING 9.8X1.9		1				
032	K0500-0291	TRIGGER VALVE SET		1				
033	A0100-0021	COMPRESSION SPRING		1				
034	A0005-0041	E RING 2.5		2				
035	A0500-0191	TRIGGER		1				
036	A0006-0271	STEP PIN 2.9X29		1				
037	A0200-0131	O RING 35X3.5		1				
038	A0306-0231	TAIL COVER		1				
039	A0307-0001	AIR PLUG		1				
040	A0200-0031	O RING 21.3X3		1				
041	A0602-0021	PISTON HEAD		1				
042	A0601-0021	DRIVER BLADE PIN		1				
043	A0011-0051	OUTER SPRNG PN 4X10		1				
044	A0011-0061	INNER SPRING PIN 2.5X10		1				
045	A0600-1701	DRIVER BLADE		1				
046	K0600-1801	PISTON SET		1				
047	B0600-1731	PISTON UNIT		1				
048	A0709-0021	CLICK LEVER		1				

Model No. AT422AZ PNEUMATIC AIR STAPLER

Item	Parts No.	Description	I/C	Qty	N/O	Sales	Purch.	Note
049	A0101-0021	TORSION SPRING		1				
050	A0004-0001	HEX. NUT M5		1				
051	A0204-0081	HANDLE GRIP		1				
052	A0006-0021	STEP PIN 5X18.6		1				
053	A0001-0131	SCREW M4		2				
054	B0700-0011	UPPER MAG. ASS'Y		1				
055	A0707-0151	PUSHER		1				
056	A0708-0061	STEEL BAR		2				
057	B0700-1181	NAIL TANK ASS'Y		1				
058	A0002-0011	SCREW M6		2				
059	A0100-0121	FEEDER SPRING		2				
060	A0801-0111	DRIVER GUIDE		1				
061	A0800-0021	SPACER		1				