

# Table of Contents

<b>Instrument Set-up</b> .....	<b>2</b>
Introduction .....	2
Overview .....	2
Display .....	3
Insert batteries .....	3
<b>Operations</b> .....	<b>4</b>
Switching ON/OFF .....	4
Clear .....	4
Message Codes .....	4
Adjusting measuring reference / tripod .....	4
Multifunctional endpiece .....	5
Distance unit setting .....	5
Tilt unit setting .....	5
Timer (automatic release) .....	5
Beep ON/OFF .....	6
Illumination ON/OFF .....	6
Keypad lock ON .....	6
Keypad lock OFF .....	6
<b>Measuring Functions</b> .....	<b>7</b>
Measuring single distance .....	7
Permanent / Minimum-Maximum measuring .....	7
Add / Subtract .....	7
Area .....	8
Volume .....	9
Pythagoras (2-point) .....	10
Pythagoras (3-point) .....	10
Pythagoras (partial height) .....	11
Stake out .....	12
Smart Horizontal Mode .....	13
Height tracking .....	13
Leveling .....	14

Memory (20 last displays) .....	14
Delete Memory .....	14

## **Calibration** .....

Calibration of tilt sensor (Tilt Calibration) .....	15
---	----

## **Technical Data** .....

## **Message Codes** .....


## **Care** .....


## **Safety Instructions** .....

Areas of responsibility .....	17
Permitted use .....	18
Prohibited use .....	18
Hazards in use .....	18
Limits of use .....	18
Disposal .....	18
Electromagnetic Compatibility (EMC) .....	18
FCC statement (applicable in U.S.) .....	19
Laser classification .....	19
Labelling .....	19

# Instrument Set-up

## Introduction

 The safety instructions and the user manual should be read through carefully before the product is used for the first time.

 The person responsible for the product must ensure that all users understand these directions and adhere to them.


The symbols used have the following meanings:

 **WARNING**

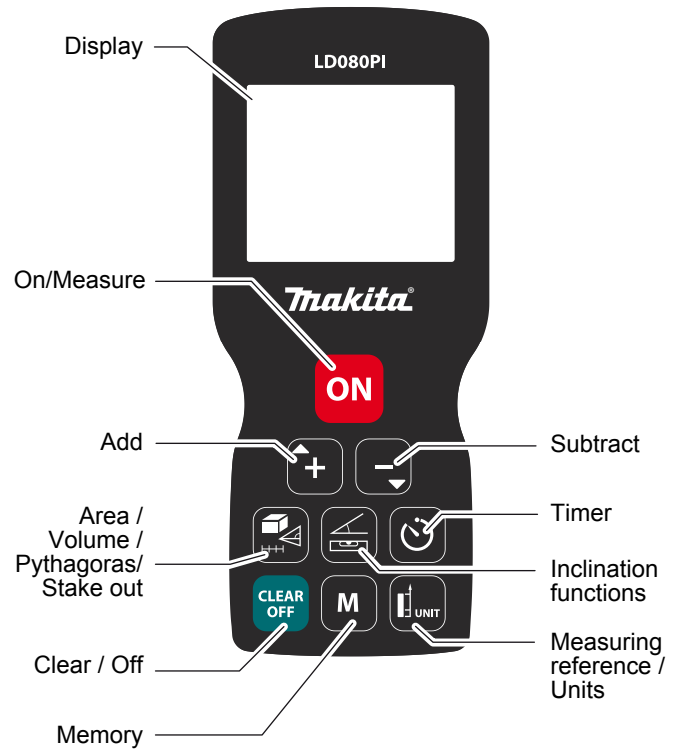
Indicates a potentially hazardous situation or an unintended use which, if not avoided, will result in death or serious injury.

 **CAUTION**

Indicates a potentially hazardous situation or an unintended use which, if not avoided, may result in minor injury and/or appreciable material, financial and environmental damage.

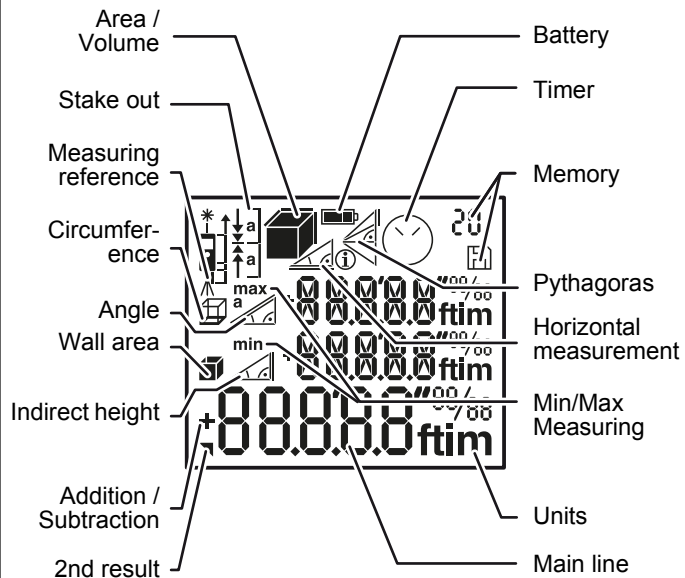
 Important paragraphs which must be adhered to in practice as they enable the product to be used in a technically correct and efficient manner.

## Overview

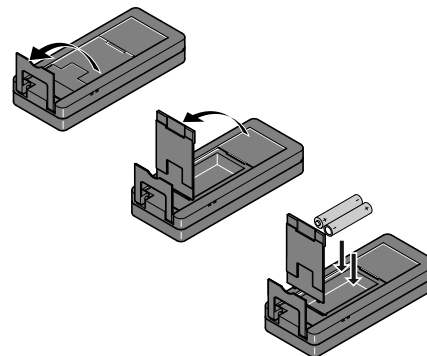


# Instrument Set-up

## Display

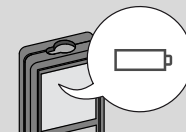


## Insert batteries



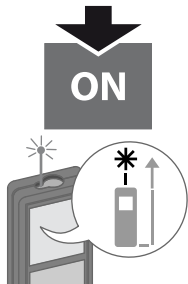
i

To ensure a reliable use, do not use zinc-carbon batteries. Change batteries when battery symbol is flashing.



# Operations

## Switching ON/OFF



i

Press ON button 2 sec to start continuous laser mode. If no key is pressed for 180 sec, the device switches off automatically.

## Clear



Undo last action.



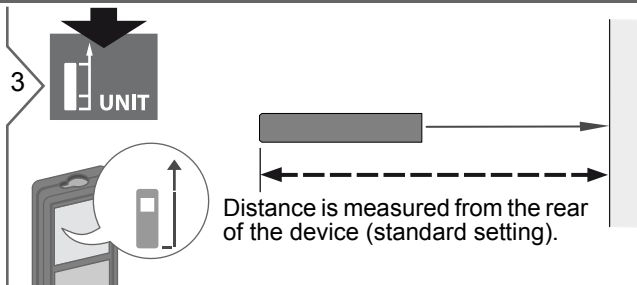
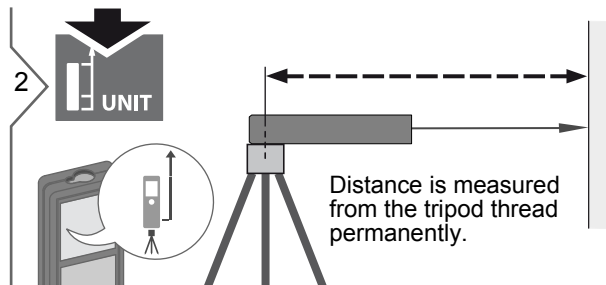
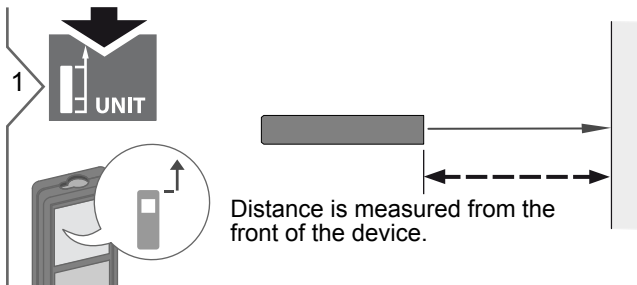
Leave actual function, go to default operation mode.

## Message Codes

If the info icon appears with a number, observe the instructions in section "Message Codes". Example:

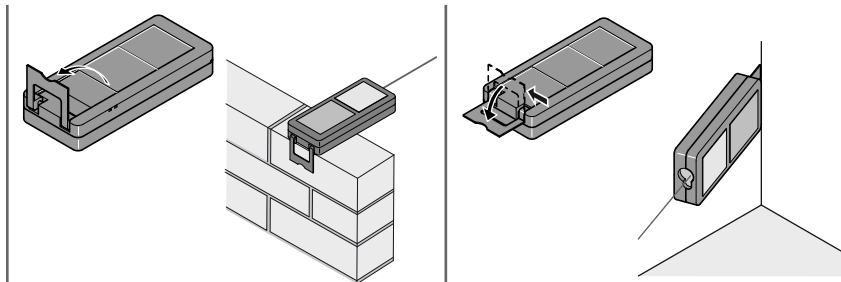


## Adjusting measuring reference / tripod



## Operations

### Multifunctional endpiece



**i** The orientation of the endpiece is automatically detected and the zero point is accordingly adjusted.

### Distance unit setting



**2 sec**

Switch between the following units:

0.000 m	0.00 ft
0.0000 m	0'00" 1/32
0.00 m	0.00 in
	0 in 1/32

### Tilt unit setting

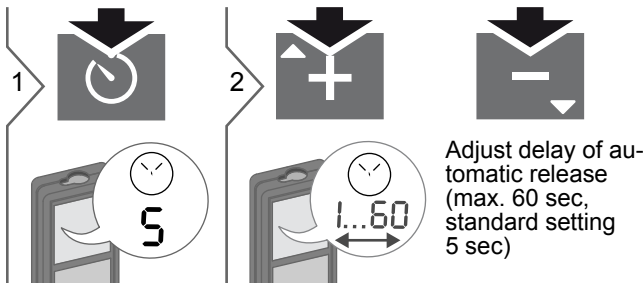


**2 sec  
simultaneously**

Switch between the following units:

0.0 °
0.0 %

### Timer (automatic release)



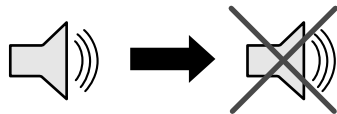
**i** Once the key is released with the laser activated, the remaining seconds until the measurement are displayed in a countdown. The delayed release is recommended for precise aiming e.g. at long distances. It avoids shaking of the device when pressing the measurement key.

## Operations

### Beep ON/OFF



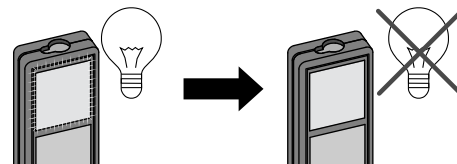
2 sec  
simultane-  
ously



### Illumination ON/OFF



2 sec  
simultane-  
ously



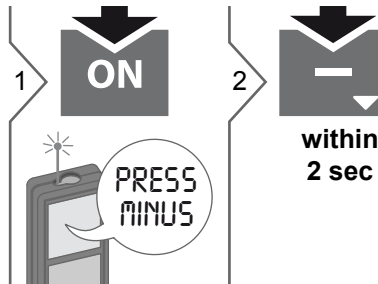
### Keypad lock ON



2 sec  
simultane-  
ously

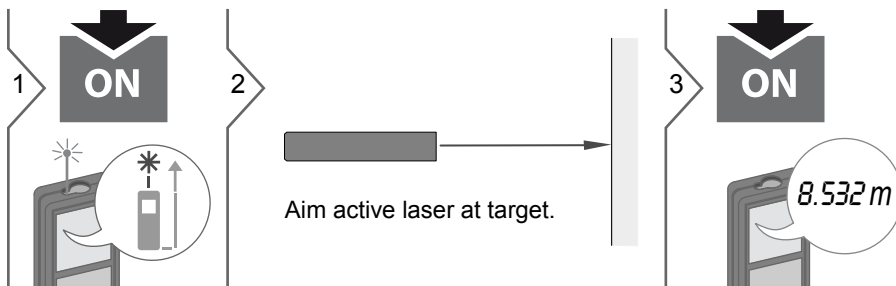


### Keypad lock OFF



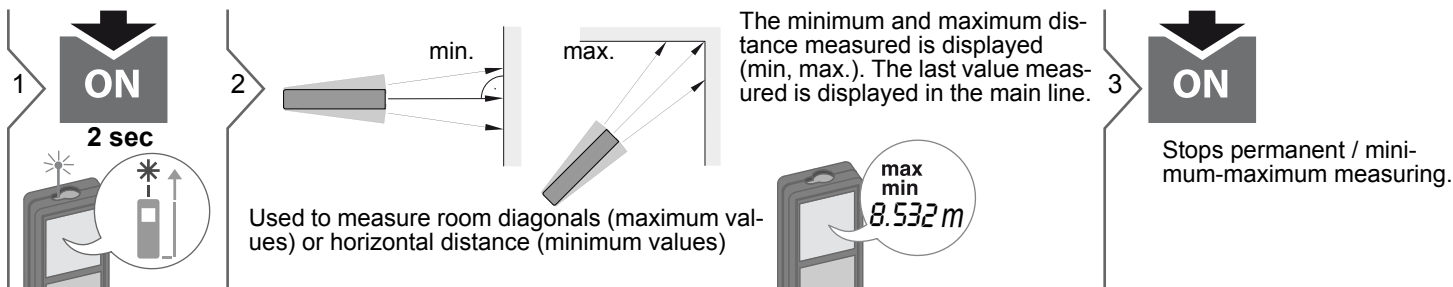
## Measuring Functions

### Measuring single distance

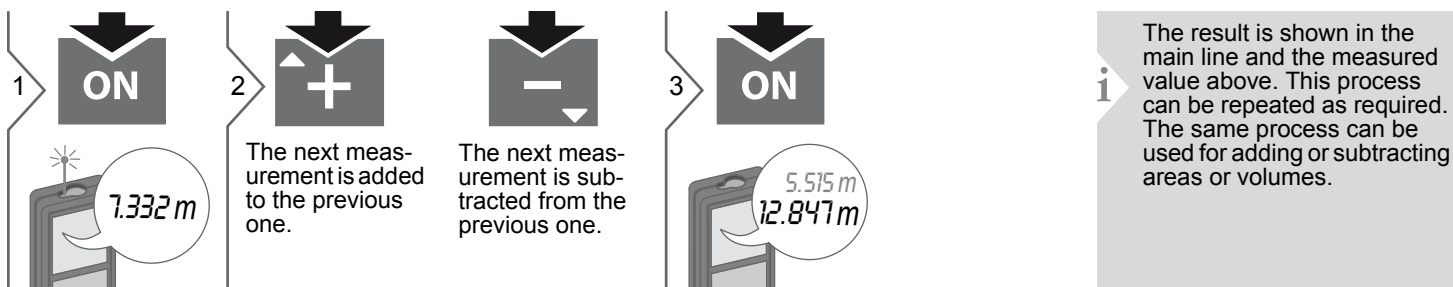


**i** Target surfaces: Measuring errors can occur when measuring to colourless liquids, glass, styrofoam or semi-permeable surfaces or when aiming at high gloss surfaces. Against dark surfaces the measuring time increases.

### Permanent / Minimum-Maximum measuring

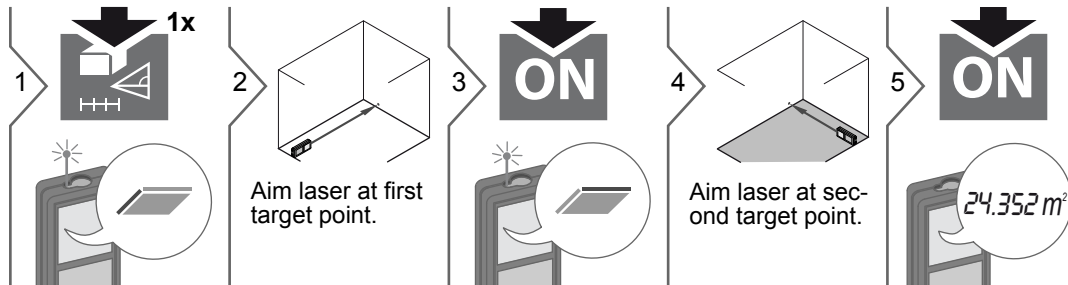


### Add / Subtract

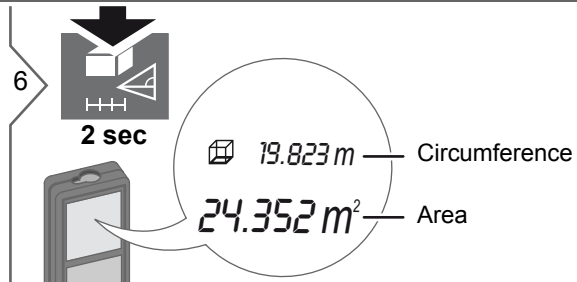


# Measuring Functions

## Area




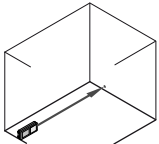
**i** The result is shown in the main line and the measured value above.


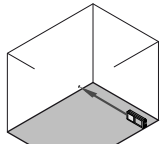



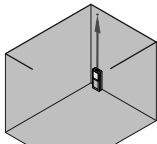



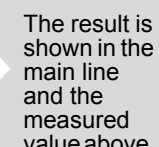

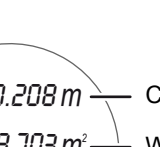
# Measuring Functions

## Volume


1   2 Aim laser at first target point.


3   4 Aim laser at second target point.


5   6 Aim laser at third target point.

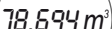
7   8   2 sec

The result is shown in the main line and the measured value above.

 80.208 m — Circumference

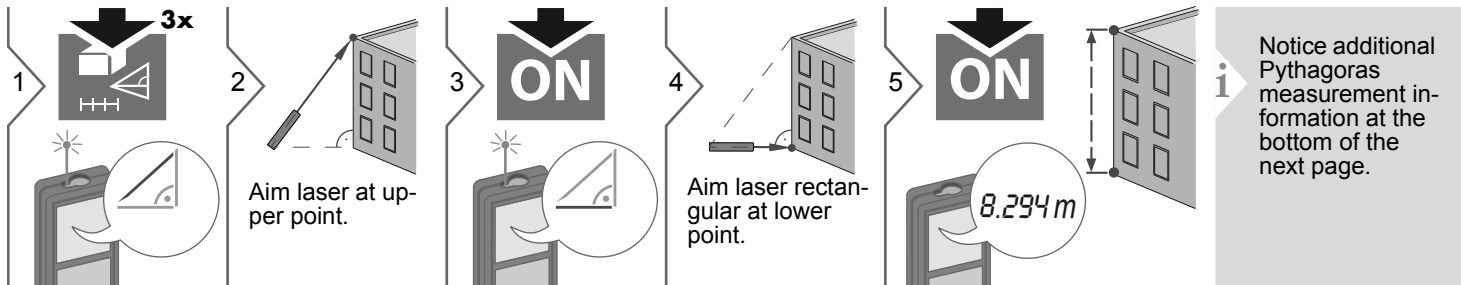
 208.703 m<sup>2</sup> — Wall areas

 78.694 m<sup>3</sup> — Volume

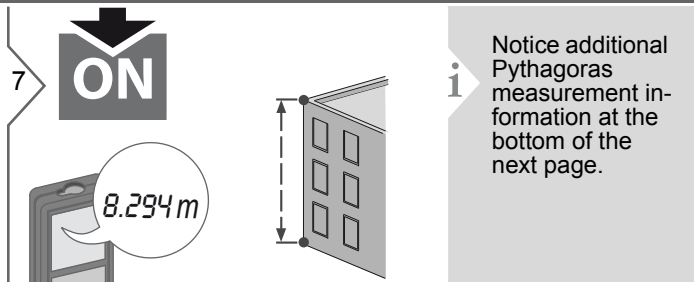
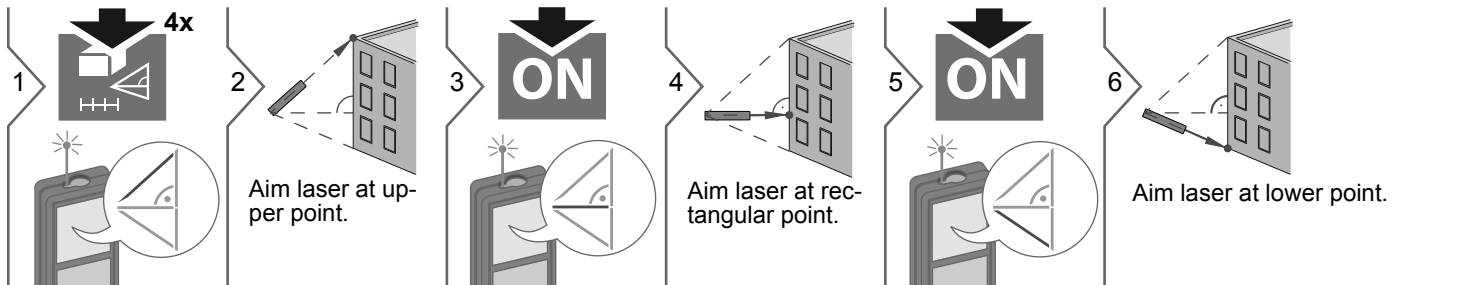
 78.694 m<sup>3</sup>

# Measuring Functions

## Pythagoras (2-point)

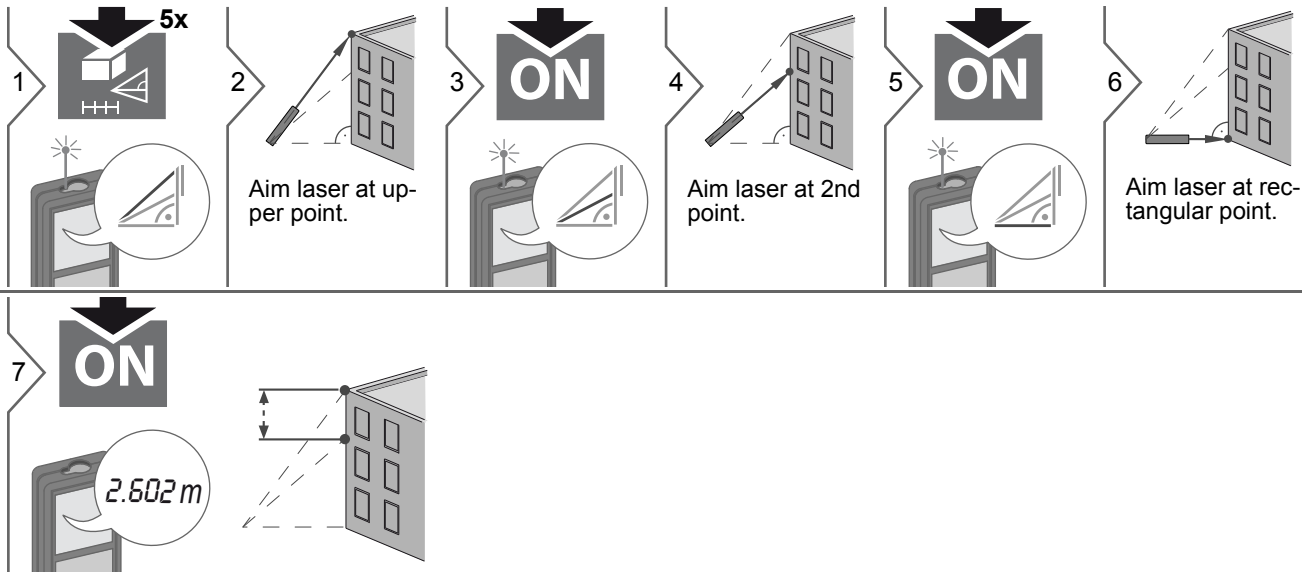


## Pythagoras (3-point)



## Measuring Functions

### Pythagoras (partial height)



#### Pythagoras measurements:

- The result is shown in the main line and the measured distance above.
- A reduced level of accuracy, lower than the level of accuracy of the instrument itself, must generally be expected when the Pythagoras measuring method is used. In order to obtain the best results we recommend to use a tripod or to flip out the corner end piece.
- Pressing the measuring key for 2 sec in the function activates automatically Minimum or Maximum measurement.

## Stake out

1

2

3

4

6x

1.000 m

Adjust value.

0.625 m

ON

Approve value and start measurement.

Move device slowly along the stake-out line. The distance to the next stake out point is displayed.

0.625 m

0.625 m


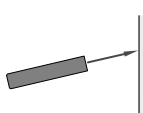

0.240 m

0.240 m is missing up to next 0.625 m distance.

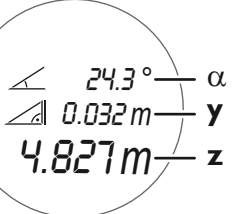
When approaching a stake out point to less than 0.1 m the instrument starts to beep. The function can be stopped by pressing the CLEAR/OFF button.

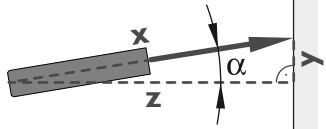
## Measuring Functions

### Smart Horizontal Mode

1  2  3 


Aim laser at target.


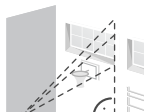

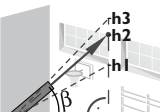
  $24.3^\circ$  —  $\alpha$   
 $0.032\text{ m}$  —  $y$   
 $4.827\text{ m}$  —  $z$

  $\alpha$   
 (up to  $360^\circ$  and a transverse tilt of  $\pm 10^\circ$ )

Press key again to switch off horizontal measurement.


### Height tracking

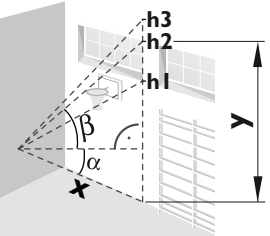
 This function displays continuously the tracking height if the device is turned on a tripod. No 2nd distance measuring is needed as only the angle is automatically measured.

1  2  3  4 


Aim laser at lower point.

Aim laser at upper points and angle/ height tracking starts automatically.

5   $6.932\text{ m}$  —  $x$   
 $30.2^\circ$  —  $\beta$  = Tracking angle  
 $9.827\text{ m}$  —  $y$  = Tracking height

  $h3$   
 $h2$   
 $h1$   
 $\beta$   
 $\alpha$   
 $y$

The tracked height "y" is in  $90^\circ$  to the 1st aimed point "x".

6 

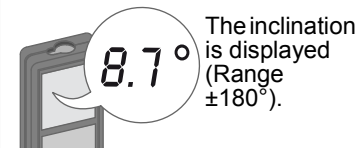
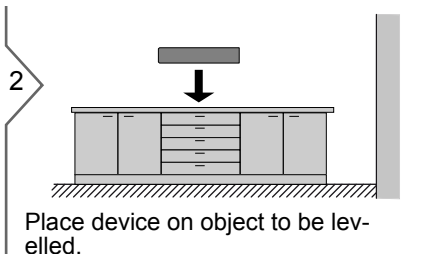
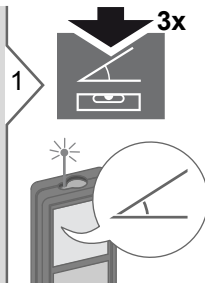
Stops Height tracking and displays last measurement.

# Measuring Functions

## Leveling

i

This function displays continuously the inclination of the device. From an inclination of  $\pm 5^\circ$  the device starts beeping frequently. The more it gets to  $0^\circ$  the faster it beeps. If an inclination of  $\pm 0.3^\circ$  is reached the device beeps continuously.



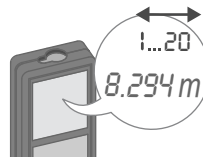
## Memory (20 last displays)

1



20 last displays are displayed.

2



Navigates trough 20 last displays.



2 sec

The value from the main line can be used for further calculations.

## Delete Memory

3



2 sec



**simultaneously**

Memory is completely deleted.


# Calibration

## Calibration of tilt sensor (Tilt Calibration)

1

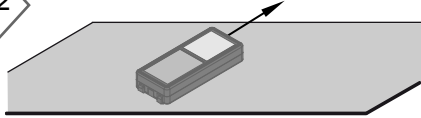



**2 sec simultaneously**



MERS 1  
HOR  
CAL

2



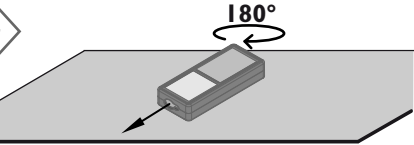
Place device on absolutely flat surface.

3




MERS 2  
turn  
180°

4



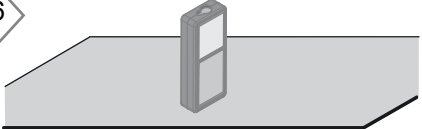
Turn the device horizontally by 180° and place it again on absolutely flat surface.

5






MERS 3  
VER  
CAL

6



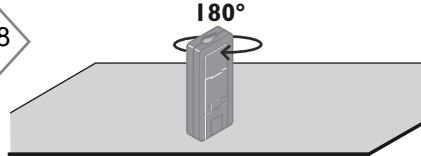
Turn the device and place it again on absolutely flat surface.

7



MERS 4  
turn  
180°

8



Turn the device horizontally by 180° and place it again on absolutely flat surface.

9

OK  
CAL

**i** After 2 sec the device goes back to the normal mode.

Distance measurement	
<b>Typical Measuring Tolerance*</b>	$\pm 1.5 \text{ mm} / 0.06 \text{ in} \text{ ***}$
<b>Maximum Measuring Tolerance**</b>	$\pm 2.5 \text{ mm} / 0.10 \text{ in} \text{ ***}$
<b>Range of target plate</b>	80 m / 262 ft
<b>Typical Range*</b>	80 m / 262 ft
<b>Range at unfavourable condition ****</b>	60 m / 197 ft
<b>Smallest unit displayed</b>	0.1 mm / 1/32 in
<b>Ø laser point at distances</b>	6 / 30 / 50 mm (10 / 50 / 80 m)
Tilt measurement	
<b>Measuring tolerance to laser beam*****</b>	$\pm 0.2^\circ$
<b>Measuring tolerance to housing*****</b>	$\pm 0.2^\circ$
<b>Range</b>	$360^\circ$
General	
<b>Laser class</b>	2
<b>Laser type</b>	635 nm, < 1 mW
<b>Protection class</b>	IP54 (dust- and splash water protected)
<b>Autom. laser switch off</b>	after 90 s
<b>Autom. power switch-off</b>	after 180 s
<b>Battery durability (2 x AAA)</b>	up to 5000 measurements
<b>Dimension (H x D x W)</b>	117 x 57 x 32 mm 4.6 x 2.4 x 1.3 in
<b>Weight (with batteries)</b>	0.14 kg / 4.938 oz
<b>Temperature range:</b>	
- Storage	-25 to 70 °C -13 to 158 °F
- Operation	-10 to 50 °C 14 to 122 °F

\* applies for 100 % target reflectivity (white painted wall), low background illumination, 25 °C

\*\* applies for 10 to 500 % target reflectivity, high background illumination, - 10 °C to + 50 °C

\*\*\* Tolerances apply from 0.05 m to 10 m with a confidence level of 95%. The maximum tolerance may deteriorate to 0.1 mm/m between 10 m to 30 m and to 0.2 mm/m for distances above 30 m

\*\*\*\* applies for 100 % target reflectivity, background illumination of approximately 30'000 lux

\*\*\*\*\* after user calibration. Additional angle related deviation of +/- 0.01° per degree up to +/-45° in each quadrant. Applies at room temperature. For the whole operating temperature range the maximum deviation increases by +/- 0.1°.

i For accurate indirect results, the use of a tripod is recommended. For accurate tilt measurements a transverse tilt should be avoided.

Functions	
<b>Distance measuring</b>	yes
<b>Min/Max measuring</b>	yes
<b>Permanent measuring</b>	yes
<b>Stake-out</b>	yes
<b>Addition/Subtraction</b>	yes
<b>Area</b>	yes
<b>Volume</b>	yes
<b>Pythagoras</b>	2-point, 3-point, partial height
<b>Smart Horizontal Mode / Indirect height</b>	yes
<b>Height tracking</b>	yes
<b>Levelling</b>	yes
<b>Memory</b>	20 displays
<b>Beep</b>	yes
<b>Illuminated display</b>	yes
<b>Multifunctional endpiece</b>	yes



## Message Codes

If the message **Error** does not disappear after switching on the device repeatedly, contact the dealer.

If the message **InFo** appears with a number, press the Clear button and observe the following instructions:

No.	Cause	Correction
156	Transverse tilt greater than 10°	Hold the instrument without any transverse tilt.
162	Calibration mistake	Make sure, the device is placed on a absolutely horizontal and flat surface. Repeat the calibration procedure. If the mistake still occurs, contact your dealer.
204	Calculation error	Perform measurement again.
252	Temperature too high	Let device cool down.
253	Temperature too low	Warm device up.
255	Received signal too weak, measuring time too long	Change target surface (e.g. white paper).
256	Received signal too high	Change target surface (e.g. white paper).
257	Too much background light	Shadow target area.
258	Measurement outside of measuring range	Correct range.
260	Laser beam interrupted	Repeat measurement.

## Care

- Clean the device with a damp, soft cloth.
- Never immerse the device in water.
- Never use aggressive cleaning agents or solvents.

## Safety Instructions

The person responsible for the instrument must ensure that all users understand these directions and adhere to them.

### Areas of responsibility

#### Responsibilities of the manufacturer of the original equipment:

Makita Corporation Anjo,  
Aichi 446-8502 Japan  
Internet: [www.makita.com](http://www.makita.com)

The company above is responsible for supplying the product, including the User Manual in a completely safe condition.

The company above is not responsible for third party accessories.

#### Responsibilities of the person in charge of the instrument:

- To understand the safety instructions on the product and the instructions in the User Manual.
- To be familiar with local safety regulations relating to accident prevention.
- Always prevent access to the product by unauthorised personnel.

## Safety Instructions

### Permitted use

- Measuring distances
- Tilt measurement

### Prohibited use

- Using the product without instruction
- Using outside the stated limits
- Deactivation of safety systems and removal of explanatory and hazard labels
- Opening of the equipment by using tools (screwdrivers, etc.)
- Carrying out modification or conversion of the product
- Use of accessories from other manufacturers without express approval
- Deliberate dazzling of third parties; also in the dark
- Inadequate safeguards at the surveying site (e.g. when measuring on roads, construction sites, etc.)
- Deliberate or irresponsible behaviour on scaffolding, when using ladders, when measuring near machines which are running or near parts of machines or installations which are unprotected
- Aiming directly in the sun

### Hazards in use

#### WARNING

Watch out for erroneous measurements if the instrument is defective or if it has been dropped or has been misused or modified. Carry out periodic test measurements. Particularly after the instrument has been subject to abnormal use, and before, during and after important measurements.

#### CAUTION

Never attempt to repair the product yourself. In case of damage, contact a local dealer.

#### WARNING

Changes or modifications not expressly approved could void the user's authority to operate the equipment.

### Limits of use

- Refer to section "Technical data".
- The device is designed for use in areas permanently habitable by humans. Do not use the product in explosion hazardous areas or in aggressive environments.

### Disposal

#### CAUTION

Flat batteries must not be disposed of with household waste. Care for the environment and take them to the collection points provided in accordance with national or local regulations.

The product must not be disposed with household waste.

Dispose of the product appropriately in accordance with the national regulations in force in your country.



Adhere to the national and country specific regulations.

Product specific treatment and waste management can be downloaded from our homepage.

### Electromagnetic Compatibility (EMC)

#### WARNING

The device conforms to the most stringent requirements of the relevant standards and regulations.

Yet, the possibility of causing interference in other devices cannot be totally excluded.

## Safety Instructions

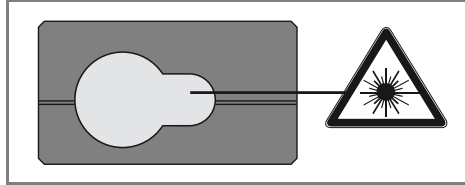
### FCC statement (applicable in U.S.)

This equipment has been tested and found to comply with the limits for a Class B digital device, pursuant to part 15 of the FCC Rules. These limits are designed to provide reasonable protection against harmful interference in a residential installation. This equipment generates, uses and can radiate radio frequency energy and, if not installed and used in accordance with the instructions, may cause harmful interference to radio communications.

However, there is no guarantee that interference will not occur in a particular installation. If this equipment does cause harmful interference to radio or television reception, which can be determined by turning the equipment off and on, the user is encouraged to try to correct the interference by one or more of the following measures:

- Reorient or relocate the receiving antenna.
- Increase the separation between the equipment and receiver.
- Connect the equipment into an outlet on a circuit different from that to which the receiver is connected.
- Consult the dealer or an experienced radio/TV technician for help.

### Laser classification



The device produces visible laser beams, which are emitted from the instrument: It is a Class 2 laser product in accordance with:

- IEC60825-1 : 2007 „Radiation safety of laser products“

### Laser Class 2 products:

Do not stare into the laser beam or direct it towards other people unnecessarily. Eye protection is normally afforded by aversion responses including the blink reflex.

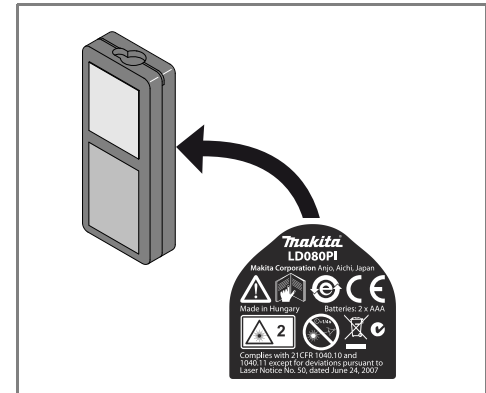
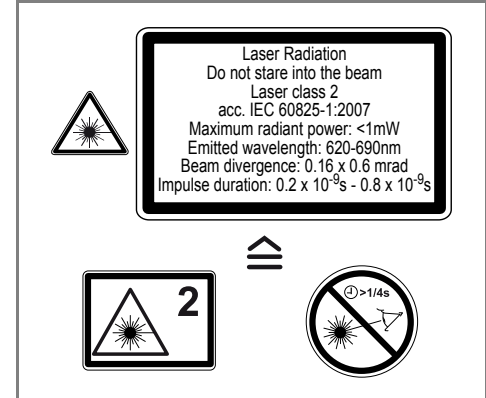
### ⚠ WARNING

Looking directly into the beam with optical aids (e.g. binoculars, telescopes) can be hazardous.

### ⚠ CAUTION

Looking into the laser beam may be hazardous to the eyes.

### Labelling



Subject to change (drawings, descriptions and technical data) without prior notice.