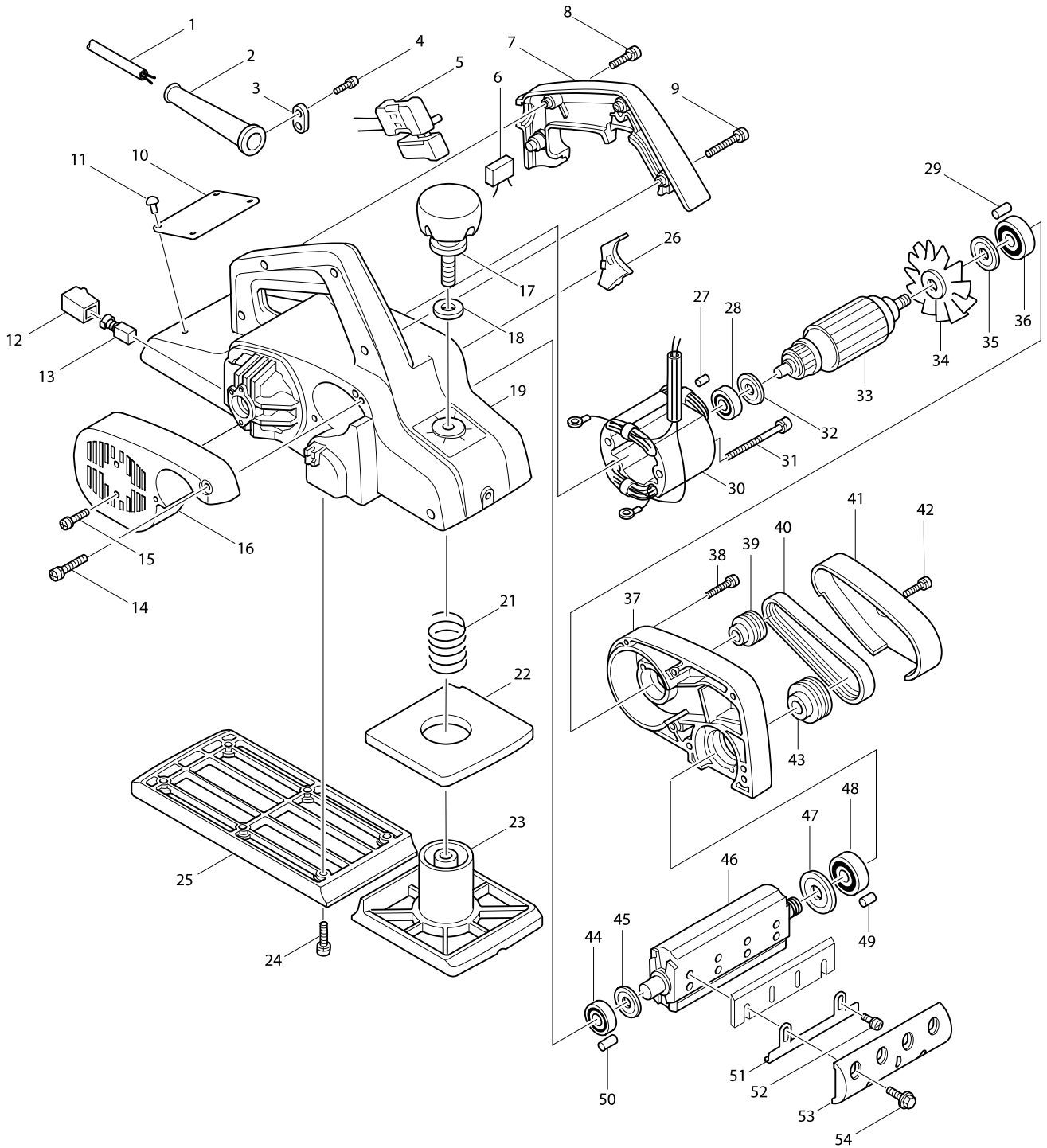


Model No. 1911B POWER PLANER 110MM



Model No. 1911B POWER PLANER 110MM

Item	Parts No.	Description	I/C	Qty	N/O	Sales	Purch.	Note
001Q_	692127-6	POWER SUPPLY CORD 1.5-2-5.0		1				
002A_	682502-4	CORD GUARD 8-85		1				
003C_	687052-4	STRAIN RELIEF		1				
004-1	911133-5	PAN HEAD SCREW M4X18		2				
005J_	651225-5	SWITCH SGEL215C		1				
007	411423-1	HANDLE COVER		1				
008	911168-6	PAN HEAD SCREW M4X40		1	*			
008-1	911153-9	PAN HEAD SCREW M4X28	X	3				
009-1	911153-9	PAN HEAD SCREW M4X28		3	*			
009-2	911168-6	PAN HEAD SCREW M4X40	X	1				
010	815099-0	NAME PLATE 1911B		1	*			
010-1	853285-5	NAME PLATE	<	1				
011	953106-2	RIVET 0-5		4	*			
012	643601-7	BRUSH HOLDER 6-10		2				
013-1	181410-1	CARBON BRUSH CB-106		1				
014	911168-6	PAN HEAD SCREW M4X40		1				
015	911123-8	PAN HEAD SCREW M4X14		2				
016	152234-2	REAR COVER COMPLETE		1	*			
C10	817672-2	CAUTION LABEL		1	*			
016-1	411425-7	REAR COVER	X	1				
017	271226-3	KNOB 50		1				
018	941251-5	FLAT WASHER 10		1				
019-1	159336-5	MAIN FRAME		1	*			
C10	816406-0	SCALE PLATE		1	*			
C20	953106-2	RIVET 0-5		4	*			
D10		INC. 27,50			*			
019-2	159336-5	MAIN FRAME	O	1				
C10	816381-0	SCALE LABEL		1				
021	231004-3	COMPRESSION SPRING 18		1				
022	421147-1	RUBBER PACKING		1				
023	312951-8	FRONT BASE		1				
024	911231-5	PAN HEAD SCREW M5X20		6	*			
024-1	911226-8	PAN HEAD SCREW M5X18	O	6				
025	312952-6	REAR BASE		1				
026	411428-1	BAFFLE PLATE		1				
027-1	263014-2	RUBBER PIN 4		1	*			
028	211031-6	BALL BEARING 608LLB		1				
029	263002-9	RUBBER PIN 4		1				
030C_	522418-0	FIELD ASS'Y 220V		1	*			
C10	654038-3	INSULATED TERMINAL FT1.25-M4		2	*			
030C1	594488-9	FIELD ASS'Y 220V	<	1				
C10	654038-3	INSULATED TERMINAL FT1.25-M4		2	*			
C11	654037-5	INSULATED TERM. FT1.25-M3		2	*			
C12	654037-5	INSULATED TERM. FT1.25-M3	O	2				
031-1	911290-9	PAN HEAD SCREW M5X65		2	*			
031-2	911295-9	PAN HEAD SCREW M5X70	X	2				
032-1	681613-2	INSULATION WASHER		1				
033C1	516083-5	ARMATURE ASS'Y 220V		1				

Model No. 1911B POWER PLANER 110MM

Item	Parts No.	Description	I/C	Qty	N/O	Sales	Purch.	Note
D10		INC. 28,32,34,35,36						
034-1	241519-2	FAN 68		1				
035	213051-6	DUST SEAL 10		1				
036	211066-7	BALL BEARING 6200LLB		1				
037-1	152362-3	BRACKET		1				
D10		INC. 29,49						
038	911158-9	PAN HEAD SCREW M4X30		6				
039	222050-7	V-PULLEY 4-24L		1				
040-1	225069-5	POLY V-BELT 4-272		1				
041	411426-5	BELT COVER		1				
042-1	911123-8	PAN HEAD SCREW M4X14		1				
043	222063-8	V-PULLEY 4-38		1				
044	211062-5	BALL BEARING 6000ZZ		1				
045	341389-0	WASHER 10		1				
046	161078-9	DRUM		1	*			
046-1	161119-1	DRUM	S	1				
047	341377-7	WASHER 12		1				
048	211107-9	BALL BEARING 6201ZZ		1				
049	263005-3	RUBBER PIN 6		1				
050	263002-9	RUBBER PIN 4		1	*			
051	345157-3	BLADE HOLDER		2	*			
051-1	341601-8	ADJUSTING PLATE	S	2				
052	911106-8	PAN HEAD SCREW M4X8		4	*			
052-1	251246-3	+ PAN HEAD SCREW M4X5	S	4				
053	345156-5	DRUM PLATE		1	*			
053-1	344442-1	DRUM PLATE	O	1	*			
053-2	187674-5	DRUM PLATE SET	O	1				
054	251609-3	HEX. FLANGE HEAD BOLT M6X17		8				
055	232065-6	LEAF SPRING		2	*			
056	321346-4	PIN		2	*			
057	961017-7	STOP RING E-3		1	*			
058	321347-2	STOPPER PIN		1	*			
059	231303-3	COMPRESSION SPRING 5		1	*			
060	256714-1	PIN 2		1	*			
061	252415-9	NUT N4-12		1	*			
066	267012-8	FLAT WASHER 5		2				
400	123055-9	SHARPENING HOLDER ASS'Y		1				
C10	934301-3	WING NUT M6		2				
C20	251920-3	CAP SQUARE NECK BOLT M6X30		2				
C30	341390-5	PRESSURE PLATE		1				
404	155270-7	CUTTER LEVELLER		1	*			
C10	817673-0	CAUTION LABEL		1	*			
404-1	123062-2	BLADE GAUGE ASS'Y	X	1				
C10	411086-3	GAUGE PLATE		1				
C20	911228-4	PAN HEAD SCREW M5X18		2				
405	782209-3	SOCKET WRENCH 9		1				
406	793008-8	PLANER BLADE 110		1				
407	442203-4	ANTI CORROSION PAPER		1				