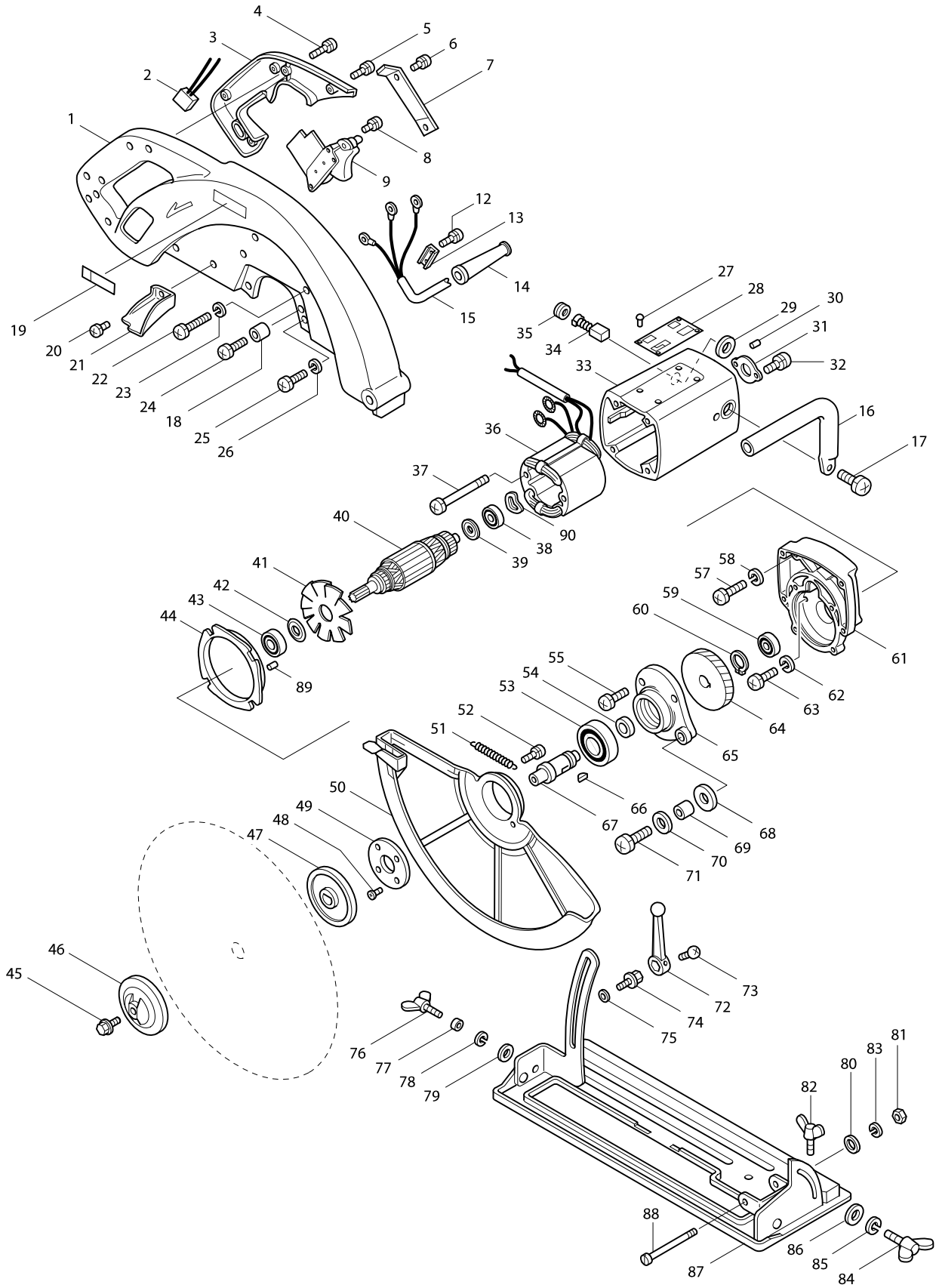


Model No. 5402 CIRCULAR SAW 415MM



Item	Parts No.	Description	I/C	Qty	N/O	Sales	Purch.	Note
001A	312966-5	BLADE CASE		1	*			
001-1A	312966-5	BLADE CASE	O	1				
001-1B	312966-5	BLADE CASE		1				
003	312870-8	HANDLE COVER F/LOCK		1				
004	911151-3	PAN HEAD SCREW M4X28		1				
005	911126-2	PAN HEAD SCREW M4X16		3				
006	911106-8	PAN HEAD SCREW M4X8		2				
007	342488-1	LEAD COVER		1				
008	911106-8	PAN HEAD SCREW M4X8		2				
009A	651007-5	SWITCH NPAHR2-2		1	*			
009-1A	651016-4	SWITCH HPAHR2-2	O	1				
009-1B	651016-4	SWITCH HPAHR2-2		1				
010A	911106-8	PAN HEAD SCREW M4X8		2	*			
011A	342487-3	PLATE		1	*			
012A_	911123-8	PAN HEAD SCREW M4X14		2				
013B	687600-9	STRAIN RELIEF		1	*			
013-1B	687000-3	STRAIN RELIEF	S	1				
013A_A	687001-1	STRAIN RELIEF		1				
014A_A	682503-2	CORD GUARD 8-90		1				
014B_B	682505-8	CORD GUARD 10-90		1				
015M_B	664550-5	POWER SUPPLY CORD AWG#14-3-5.0		1	*			
015M1B	664850-3	POWER SUPPLY CORD AWG#14-3-5.0	S	1				
015U_A	692273-5	POWER SUPPLY CORD 1.0-3-5.0		1				
016	273602-7	GRIP		1				
017	911321-4	PAN HEAD SCREW M6X16		1				
018	257542-7	SLEEVE 7		1				
019	819003-1	MAKITA LABEL		1				
020	911106-8	PAN HEAD SCREW M4X8		1				
021	343292-1	CHIP GUIDE		1				
022A	251273-0	+ PAN HEAD SCREW M6X30		2	*			
022-1A	265064-3	+ PAN HEAD SCREW M6X30	O	2				
022-1B	265064-3	+ PAN HEAD SCREW M6X30		2				
023A	942151-2	SPRING WASHER 6		2	*			
024-1	911342-6	PAN HEAD SCREW M6X25		1				
025A	251272-2	+ PAN HEAD SCREW M6X25		2	*			
025-1A	251365-5	PAN HEAD SCREW M6X25	O	2				
025-1B	251365-5	PAN HEAD SCREW M6X25		2				
026A	942151-2	SPRING WASHER 6		2	*			
027-1A	953106-2	RIVET 0-5		2	*			
028A	815030-6	NAME PLATE 5402		1	*			
028-1A	863644-5	NAME PLATE 5402	<	1				
028-1B	863644-5	NAME PLATE 5402		1				
029	681002-1	INSULATION WASHER		2				
030	263005-3	RUBBER PIN 6		2				
031	285006-1	BEARING COVER 42		1				
032	911211-1	PAN HEAD SCREW M5X12		2				
033A	156185-1	MOTOR HOUSING		1	*			
C10	643653-8	BRUSH HOLDER 6.5-13.5		2	*			

Item	Parts No.	Description	I/C	Qty	N/O	Sales	Purch.	Note
C20	913206-0	SET SCREW M5X8		2	*			
D10		INC. 30			*			
033-1A	156185-1	MOTOR HOUSING	<	1				
C10	643653-8	BRUSH HOLDER 6.5-13.5		2				
C20	913206-0	SET SCREW M5X8		2				
D10		INC. 30						
033-1B	156185-1	MOTOR HOUSING		1				
C10	643653-8	BRUSH HOLDER 6.5-13.5		2				
C20	913206-0	SET SCREW M5X8		2				
D10		INC. 30						
034A1	181044-0	CARBON BRUSH CB-153		1				
035	643650-4	BRUSH HOLDER CAP 6.5-13.5		2				
036B	524071-8	FIELD ASS'Y 100V		1				
C10	654020-2	RING TERMINAL		2				
C20	654502-4	CONNECTOR P-2		2				
036C_A	524075-0	FIELD ASS'Y 220V		1				
C10	654020-2	RING TERMINAL		2				
C20	654502-4	CONNECTOR P-2		2				
037-1	911938-3	PAN HEAD SCREW M5X85		2				
038	211066-7	BALL BEARING 6200LLB		1				
039	213051-6	DUST SEAL 10		1				
040-1B	517750-5	ARMATURE ASS'Y 100V		1				
D10		INC. 38,39,41-43						
040C_A	514514-8	ARMATURE ASS'Y 220V		1	*			
D10		INC. 38,39,41-43			*			
040C1A	517753-9	ARMATURE ASS'Y 220V	O	1				
D10		INC. 38,39,41-43						
041	241314-0	FAN 92		1				
042	213202-1	DUST SEAL 15		1				
043	211206-7	BALL BEARING 6202LLB		1				
044	343160-8	BAFFLE PLATE		1				
045A	251644-1	HEX. FLANGE HEAD BOLT M8X20		1	*			
045-1A	265408-7	HEX. SOCKET HEAD BOLT M8X20	X	1				
045-1B	265408-7	HEX. SOCKET HEAD BOLT M8X20		1				
046	224074-9	OUTER FLANGE 90		1				
047	224182-6	INNER FLANGE 90		1				
048	912116-8	COUNTERSUNK HEAD SCREW M4X12		4				
049-1	285822-1	BEARING RETAINER		1				
050-1A	164759-4	SAFETY COVER		1	*			
050-2A	165218-1	SAFETY COVER	O	1				
050-2B	165218-1	SAFETY COVER		1				
051	231733-8	TENSION SPRING 7		1				
052-1	911109-2	PAN HEAD SCREW M4X8		2				
053	211306-3	BALL BEARING 6204LLB		1				
054	257032-0	RING 20		1				
055	911241-2	PAN HEAD SCREW M5X25		4				
057A	251208-1	+ PAN HEAD SCREW M5X35		2	*			
057-1A	265063-5	+ PAN HEAD SCREW M5X35	O	2				

Model No. 5402 CIRCULAR SAW 415MM

Item	Parts No.	Description	I/C	Qty	N/O	Sales	Purch.	Note
057-1B	265063-5	+ PAN HEAD SCREW M5X35		2				
058A	942101-7	SPRING WASHER 5		2	*			
059	211106-1	BALL BEARING 6201LLB		1				
060	961060-6	RETAINING RING S-20		1				
061	157034-5	GEAR HOUSING		1				
D10		INC. 89						
062A	942101-7	SPRING WASHER 5		2	*			
063A	251210-4	+ PAN HEAD SCREW M5X25		2	*			
063-1A	265066-9	+ PAN HEAD SCREW M5X25	O	2				
063-1B	265066-9	+ PAN HEAD SCREW M5X25		2				
064	221623-3	HELICAL GEAR 73		1				
065-1	315774-3	GEAR HOUSING COVER		1				
066	254001-2	WOODRUFF KEY 4		1				
067	325212-7	SPINDLE		1				
068	262007-6	RUBBER RING 8		1				
069	257541-9	SLEEVE 8		1				
070	253022-1	FLAT WASHER 8		1				
071-1	911451-1	PAN HEAD SCREW M8X30		1				
072	133014-5	LEVER 98 ASS'Y		1				
D10		INC. 73						
073	911207-2	PAN HEAD SCREW M5X10		1				
074	251612-4	HEX. BOLT M8X20		1				
075	941201-0	FLAT WASHER 8		1				
076	924336-2	WING BOLT M6X25		1				
077	257542-7	SLEEVE 7		1				
078	942151-2	SPRING WASHER 6		1				
079	253010-8	FLAT WASHER 6		1				
080A	941201-0	FLAT WASHER 8		1	*			
081A	931401-0	HEX. NUT M8		1	*			
081-1A	252105-4	HEX. LOCK NUT M8-13	<	1				
081-1B	252105-4	HEX. LOCK NUT M8-13		1				
082	924316-8	WING BOLT M6X15		1				
083A	942201-3	SPRING WASHER 8		1	*			
084	924426-1	WING BOLT M8X20		1				
085	942201-3	SPRING WASHER 8		1				
086	253022-1	FLAT WASHER 8		1				
087-2	134290-4	BASE ASS'Y		1				
088	251405-9	- FLAT HEAD SCREW M8		1				
089	263005-3	RUBBER PIN 6		1				
090	253913-6	WAVE WASHER 20		1				
400A_A	792262-1	CHISEL T. COMBI. SAW BLADE 415		1	*			
400A1A	792116-2	CHISEL T. COMBI. SAW BLADE 415	O	1				
400A1B	792116-2	CHISEL T. COMBI. SAW BLADE 415		1				
401	164019-4	GUIDE RULE		1				
402	781011-1	WRENCH 22		1				
403A	781203-2	WRENCH 13		1	*			
403-1A	783204-6	HEX. WRENCH 6	X	1				
403-1B	783204-6	HEX. WRENCH 6		1				

