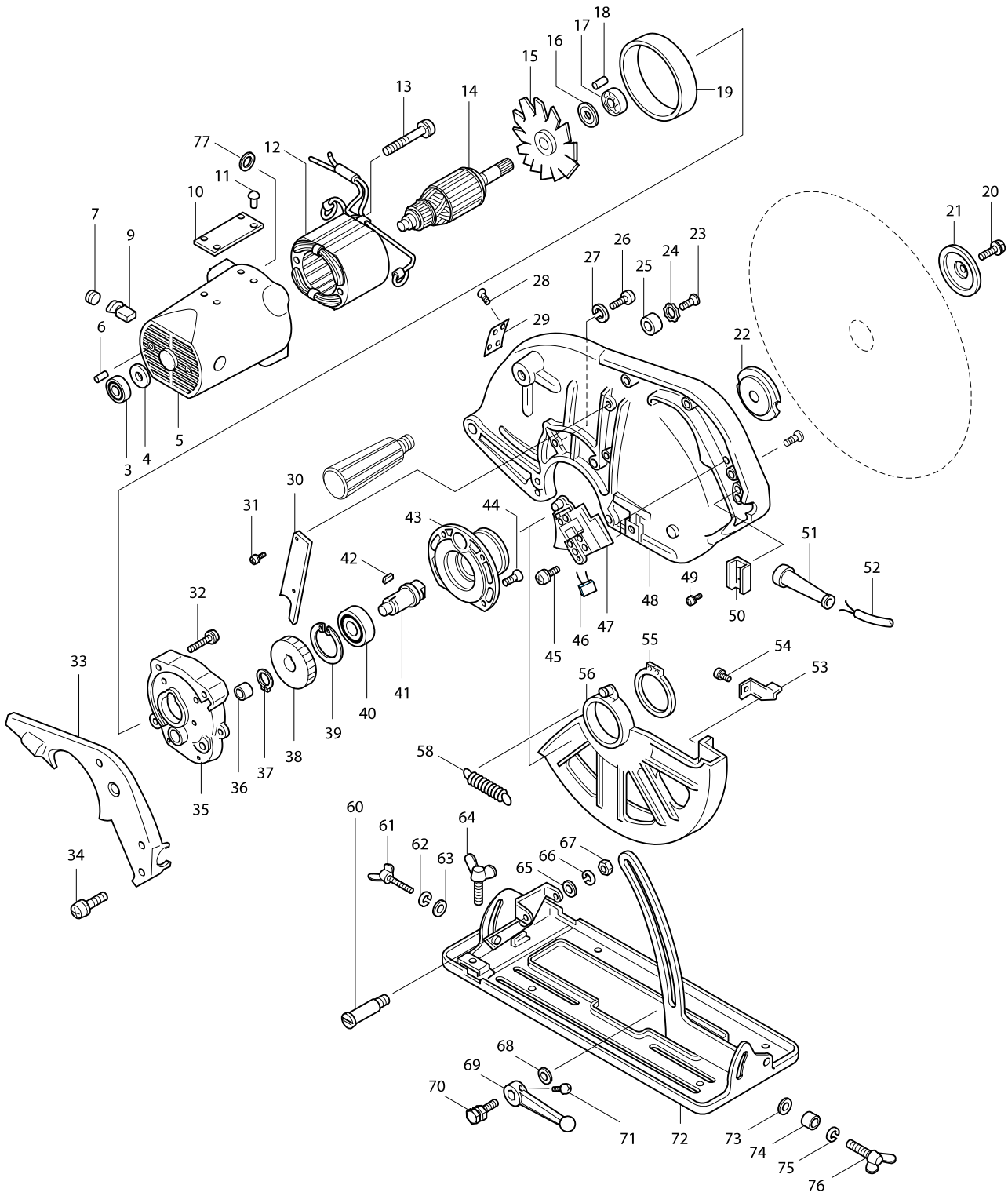


Model No. 5103N CIRCULAR SAW 335MM



Model No. 5103N CIRCULAR SAW 335MM

Item	Parts No.	Description	I/C	Qty	N/O	Sales	Purch.	Note
003	211066-7	BALL BEARING 6200LLB		1				
004	213051-6	DUST SEAL 10		1				
005	156600-5	MOTOR HOUSING		1				
C10	643653-8	BRUSH HOLDER 6.5-13.5		2				
C20	913206-0	SET SCREW M5X8		2				
D10		INC. 6						
006	263002-9	RUBBER PIN 4		1				
007	643650-4	BRUSH HOLDER CAP 6.5-13.5		2				
009-1	181044-0	CARBON BRUSH CB-153		1				
010	815306-1	NAME PLATE 5103N		1				
011-1	953106-2	RIVET 0-5		2				
012A_B	524556-4	FIELD ASS'Y 115V-130V		1				
C10	654020-2	RING TERMINAL		1				
C20	654502-4	CONNECTOR P-2		1				
012C_A	524558-0	FIELD ASS'Y 220V		1				
C10	654020-2	RING TERMINAL		1				
C20	654502-4	CONNECTOR P-2		1				
013-1	911290-9	PAN HEAD SCREW M5X65		2				
014A_B	510006-5	ARMATURE ASS'Y 115V-130V		1				
D10		INC. 3,4,15-17						
014B_A	510007-3	ARMATURE ASS'Y 220V		1				
D10		INC. 3,4,15-17						
015	241064-7	FAN 106		1				
016	213202-1	DUST SEAL 15		1				
017	211206-7	BALL BEARING 6202LLB		1				
018	263005-3	RUBBER PIN 6		1				
019	343119-5	BAFFLE PLATE		1				
020	251644-1	HEX. FLANGE HEAD BOLT M8X20		1	*			
020-1	265408-7	HEX. SOCKET HEAD BOLT M8X20	X	1				
021	224053-7	OUTER FLANGE 65		1				
022	224181-8	INNER FLANGE 65		1				
023-1	251256-0	+ COUNTERSUNK HEAD SCREW M8X20		1				
024	943202-4	TOOTHED LOCK WASHER 8		1				
025	262027-0	RUBBER RING 8		1				
026	251210-4	+ PAN HEAD SCREW M5X25		4	*			
026-1	265066-9	+ PAN HEAD SCREW M5X25	O	4				
027	942101-7	SPRING WASHER 5		4	*			
028	911101-8	PAN HEAD SCREW M4X6		2	*			
029-1	341543-6	PLATE		1	*			
030	341545-2	LEAD COVER		1				
031	911106-8	PAN HEAD SCREW M4X8		2				
032	911256-9	PAN HEAD SCREW M5X35		4				
033	315154-3	HANDLE COVER F/LOCK		1				
034	911151-3	PAN HEAD SCREW M4X28		4				
035	157030-3	GEAR HOUSING		1				
D10		INC. 18						
036	212101-4	NEEDLE BEARING 1210		1				
037	961060-6	RETAINING RING S-20		1				

Item	Parts No.	Description	I/C	Qty	N/O	Sales	Purch.	Note
038	221159-2	HELICAL GEAR 69		1				
039	962203-3	RETAINING RING R-47		1				
040	211306-3	BALL BEARING 6204LLB		1				
041	325183-8	SPINDLE		1				
042	254203-0	KEY 4		1				
043	312468-1	BEARING BOX		1				
044	912116-8	COUNTERSUNK HEAD SCREW M4X12		4				
045	911106-8	PAN HEAD SCREW M4X8		2				
047-1	651016-4	SWITCH HPAHR2-2	O	1				
048-1	316148-1	BLADE CASE		1	*			
048-2	316669-3	BLADE CASE	S	1				
049-1	911133-5	PAN HEAD SCREW M4X18	X	2				
050-1B	687054-0	STRAIN RELIEF	X	1	*			
050-2B	687053-2	STRAIN RELIEF	S	1				
050A1A	687052-4	STRAIN RELIEF	X	1				
051A_A	682503-2	CORD GUARD 8-90		1				
051B_B	682505-8	CORD GUARD 10-90		1				
052L_B	664550-5	POWER SUPPLY CORD AWG#14-3-5.0		1	*			
052L1B	664850-3	POWER SUPPLY CORD AWG#14-3-5.0	S	1				
052U_A	692273-5	POWER SUPPLY CORD 1.0-3-5.0		1				
053	342462-9	LEVER		1	*			
053-1	344966-7	LEVER	X	1				
054	911211-1	PAN HEAD SCREW M5X12		1				
055	961253-5	RETAINING RING S-56		1				
056-1	316149-9	SAFETY COVER		1				
058-1	231781-7	TENSION SPRING 5		1				
060	251407-5	- FLAT HEAD SCREW M8		1				
061	924326-5	WING BOLT M6X20		1				
062	942151-2	SPRING WASHER 6		1				
063	253047-5	FLAT WASHER 6		1				
064	924326-5	WING BOLT M6X20		1				
065	941201-0	FLAT WASHER 8		1	*			
066	942201-3	SPRING WASHER 8		1	*			
067	931401-0	HEX. NUT M8		1	*			
067-1	252105-4	HEX. LOCK NUT M8-13	<	1				
068	941201-0	FLAT WASHER 8		1				
069	133014-5	LEVER 98 ASS'Y		1				
D10		INC. 71						
070	251612-4	HEX. BOLT M8X20		1				
071	911207-2	PAN HEAD SCREW M5X10		1				
072	133173-5	BASE ASS'Y		1				
073	253010-8	FLAT WASHER 6		1				
074	257506-1	SLEEVE 7		1				
075	942151-2	SPRING WASHER 6		1				
076	924336-2	WING BOLT M6X25		1				
077	681002-1	INSULATION WASHER		2				
400	792099-6	CHISEL T. COMBI. SAW BLADE 335		1	*			
401	781011-1	WRENCH 22		1				

Model No. 5103N CIRCULAR SAW 335MM

Item	Parts No.	Description	I/C	Qty	N/O	Sales	Purch.	Note
402	164019-4	GUIDE RULE		1				
403-1	783204-6	HEX. WRENCH 6	X	1				
404-1	152492-0	GRIP 36 COMPLETE		1				
405	410047-0	WRENCH HOLDER 5.6		1				