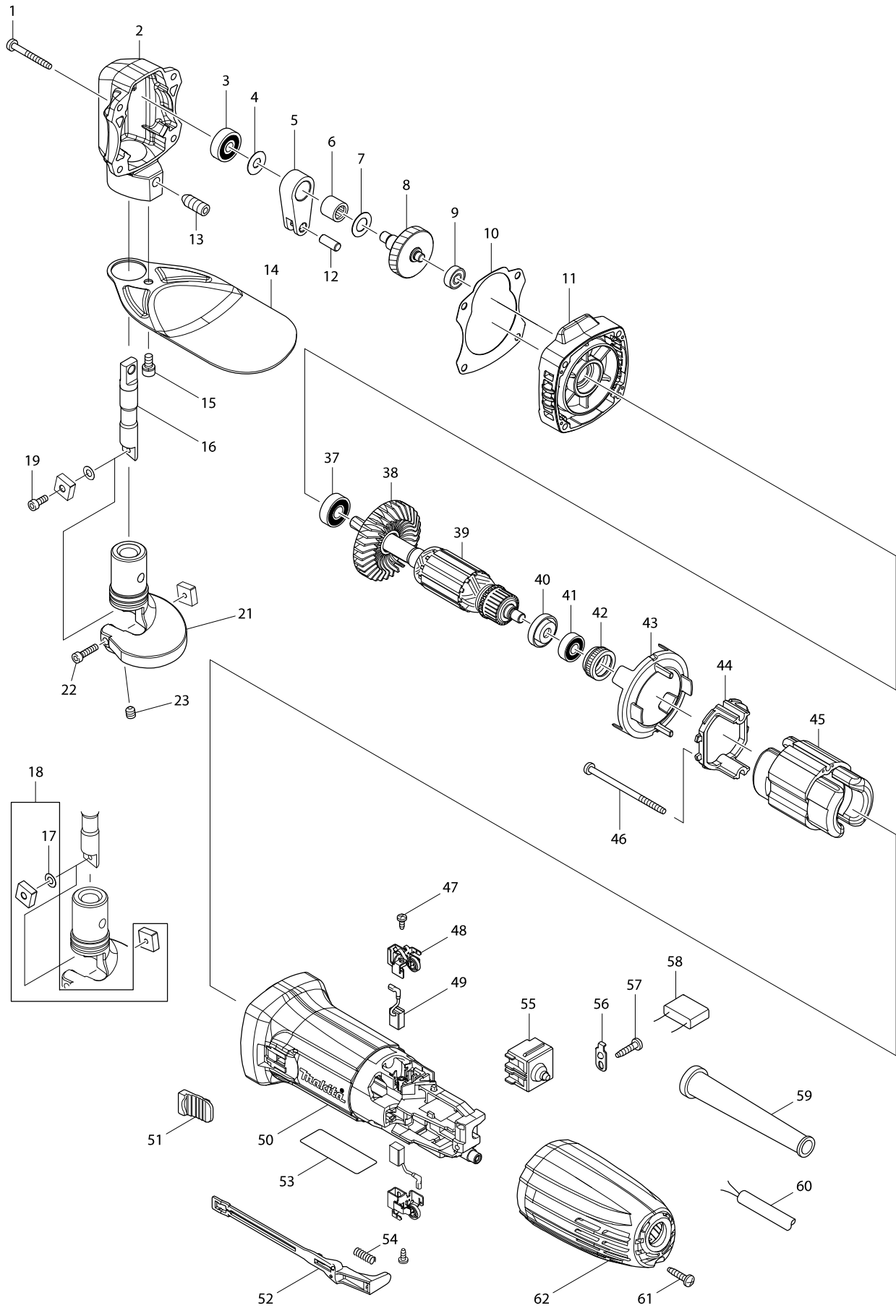


Model No. JS1602 SHEAR 1.6MM



Model No. JS1602 SHEAR 1.6MM

Item	Parts No.	Description	I/C	Qty	N/O	Sales	Purch.	Note
001	266053-1	TAPPING SCREW 4X35		4				
002	141691-9	GEAR HOUSING COMPLETE		1				
C10	800H33-1	INDICATION LABEL		1				
003	210030-5	BALL BEARING 627ZZ		1				
004	253823-7	FLAT WASHER 7		1				
005	331151-1	ROD		1				
006	212063-6	NEEDLE BEARING 1012		1				
007	253758-2	FLAT WASHER 10		1				
008	141690-1	CRANK SHAFT COMPLETE		1				
C10	227760-1	HELICAL GEAR 44		1				
009	210033-9	BALL BEARING 696ZZ		1				
010	442185-0	GASKET		1				
011	454076-3	GEAR HOUSING COVER		1				
012	256110-3	PIN 6		1				
013	913427-4	SET SCREW M8X16		1				
014	346620-9	PROTECTOR		1				
015	922206-9	HEX. SOCKET HEAD BOLT M5X10		1				
016	321311-3	BLADE HOLDER		1				
017	253334-2	THIN WASHER 5		1				
018	191383-0	SHEAR BLADE SET		1				
D10		INC. 17						
019	922112-8	HEX. SOCKET HEAD BOLT M4X10		1				
021	311717-3	YOKE		1				
022	922127-5	HEX. SOCKET HEAD BOLT M4X16		1				
023	251986-3	H.S.SET SCREW(FLAT POINT)M6X6		1				
037	210005-4	BALL BEARING 608DDW		1				
038	240076-7	FAN 56		1				
D10		INC. 37,38,40,41						
039A	517673-7	ARMATURE ASS'Y 220V		1				
039B	518562-9	ARMATURE ASSY 115V		1				
040	681636-0	INSULATION WASHER		1				
041	210062-2	BALL BEARING 607ZZ		1				
042	421868-5	LABYRINTH RUBBER RING 19		1				
043	450796-7	BAFFLE PLATE		1				
044	452073-3	SPACER		1				
045A	623548-1	FIELD		1				
045B	623546-5	FIELD		1				
046	266004-4	TAPPING SCREW 4X70		2				
047	265954-0	TAPPING SCREW BIND PT3X8		2				
048	643839-4	BRUSH HOLDER 6X9		2				
049	194722-3	CARBON BRUSH CB-459		1				
050	450795-9	MOTOR HOUSING		1				
051	418016-5	SWITCH KNOB		1				
052	450797-5	SWITCH LEVER		1				
053	897764-3	JS1602 NAME PLATE		1				
054	233121-5	COMPRESSION SPRING 4		1				
055	650621-4	SWITCH PS10		1				
056A	687682-1	STRAIN RELIEF		1				

