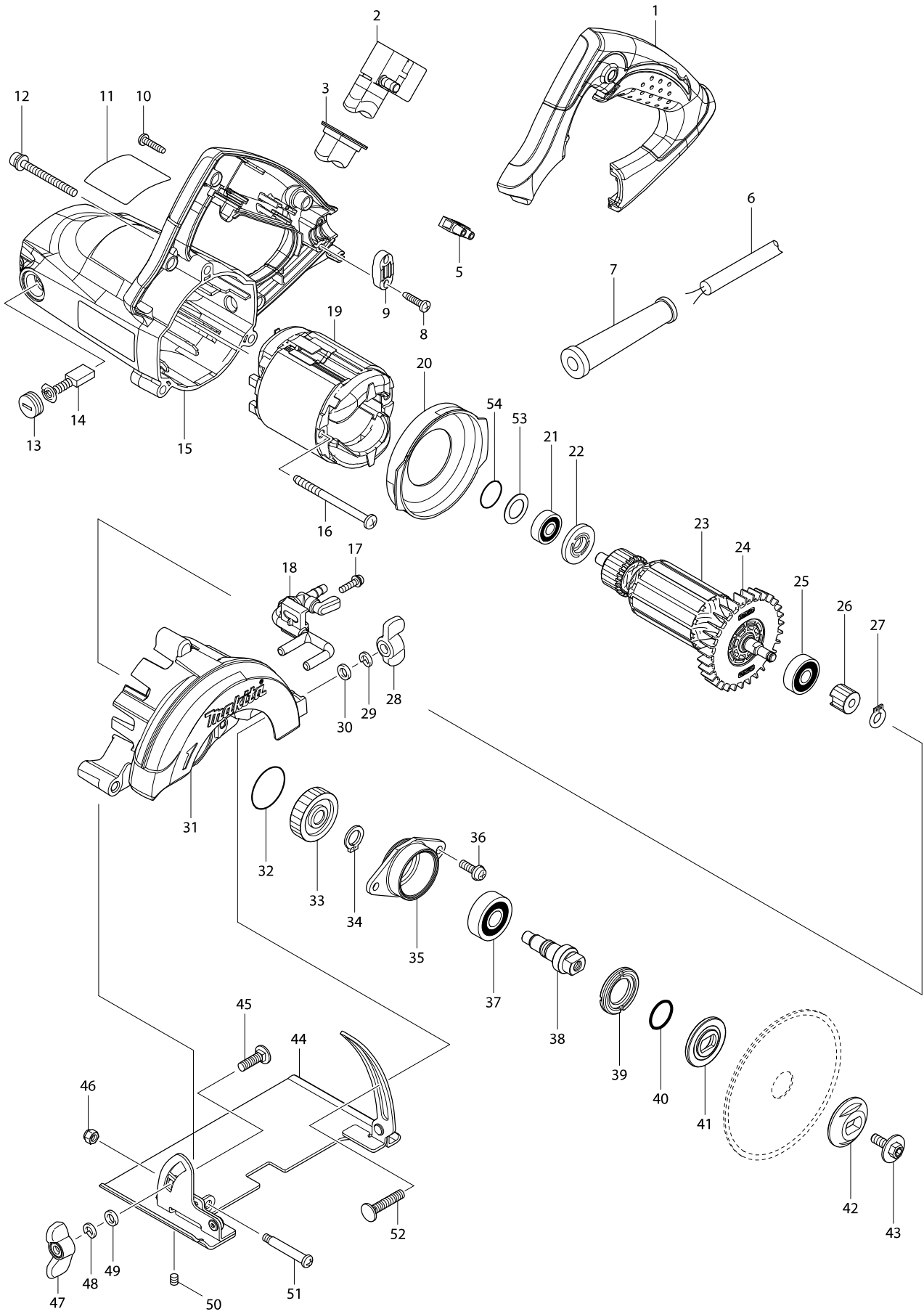


Model No. 4100NH2 110MM CUTTER



Model No. 4100NH2 110MM CUTTER

Item	Parts No.	Description	I/C	Qty	N/O	Sales	Purch.	Note
001	450838-7	HANDLE COVER		1				
002	651281-5	SWITCH SGEL115CDY-5		1				
003-2	421812-2	DUST COVER		1				
006-1	692527-0	POWER SUPPLY CORD 1.0-2-2.5		1				
007	682540-6	CORD GUARD 9.3-90		1				
008	265995-6	TAPPING SCREW 4X18		2				
009	687124-5	STRAIN RELIEF		1				
010	265995-6	TAPPING SCREW 4X18		4				
011	897639-6	4100NH2 NAME PLATE		1				
012	911263-2	PAN HEAD SCREW M5X40		3				
013	643750-0	BRUSH HOLDER CAP 7-11		2				
014	191963-2	CARBON BRUSH CB-303		1				
015	141726-6	MOTOR HOUSING COMPLETE		1				
C10	643708-9	BRUSH HOLDER 5-11		2				
016	266038-7	TAPPING SCREW 5X70		2				
017	911128-8	PAN HEAD SCREW M4X16		1				
018	158835-4	WATER SUPPLY PIPE COMPLETE		1	*			
018-1	196919-0	WATER SUPPLY PIPE SET	X	1				
C10	158835-4	WATER SUPPLY PIPE COMPLETE		1				
D10		INC. 017,A03-A05						
019	594583-5	FIELD ASSY 220V		1				
C10	654020-2	RING TERMINAL		2				
C20	654501-6	CONNECTOR P-1.25		2				
020	450839-5	BUFFLE PLATE		1				
021	211395-8	BALL BEARING 608LLU		1				
022	681644-1	INSULATION WASHER		1				
023	518698-4	ARMATURE ASS'Y 220V		1				
D10		INC. 21,22,24,25						
024	240109-8	FAN 70		1				
025	211092-6	BALL BEARING 629DDW		1				
026	226695-3	HELICAL GEAR 17		1				
027	961002-0	RETAINING RING S-6		1				
028	252649-4	THUMB NUT M6		1				
029	942151-2	SPRING WASHER 6		1				
030	941151-9	FLAT WASHER 6		1				
031-1	142541-1	BLADE CASE COMPLETE		1				
C10	212046-6	NEEDLE BEARING 810		1				
C20	213445-5	O-RING 26		1				
032	213444-7	O RING 30		1				
033	226696-1	HELICAL GEAR 44		1				
034	961052-5	RETAINING RING S-12		1				
035-1	319044-2	BEARING BOX		1				
036	911223-4	PAN HEAD SCREW M5X16		2				
037	211129-9	BALL BEARING 6201DDW		1				
038	325603-2	SPINDLE		1				
039-1	285858-0	BEARING RETAINER 19-33		1				
040	213279-6	O RING 18		1				
041	224423-0	INNER FLANGE 36		1				

