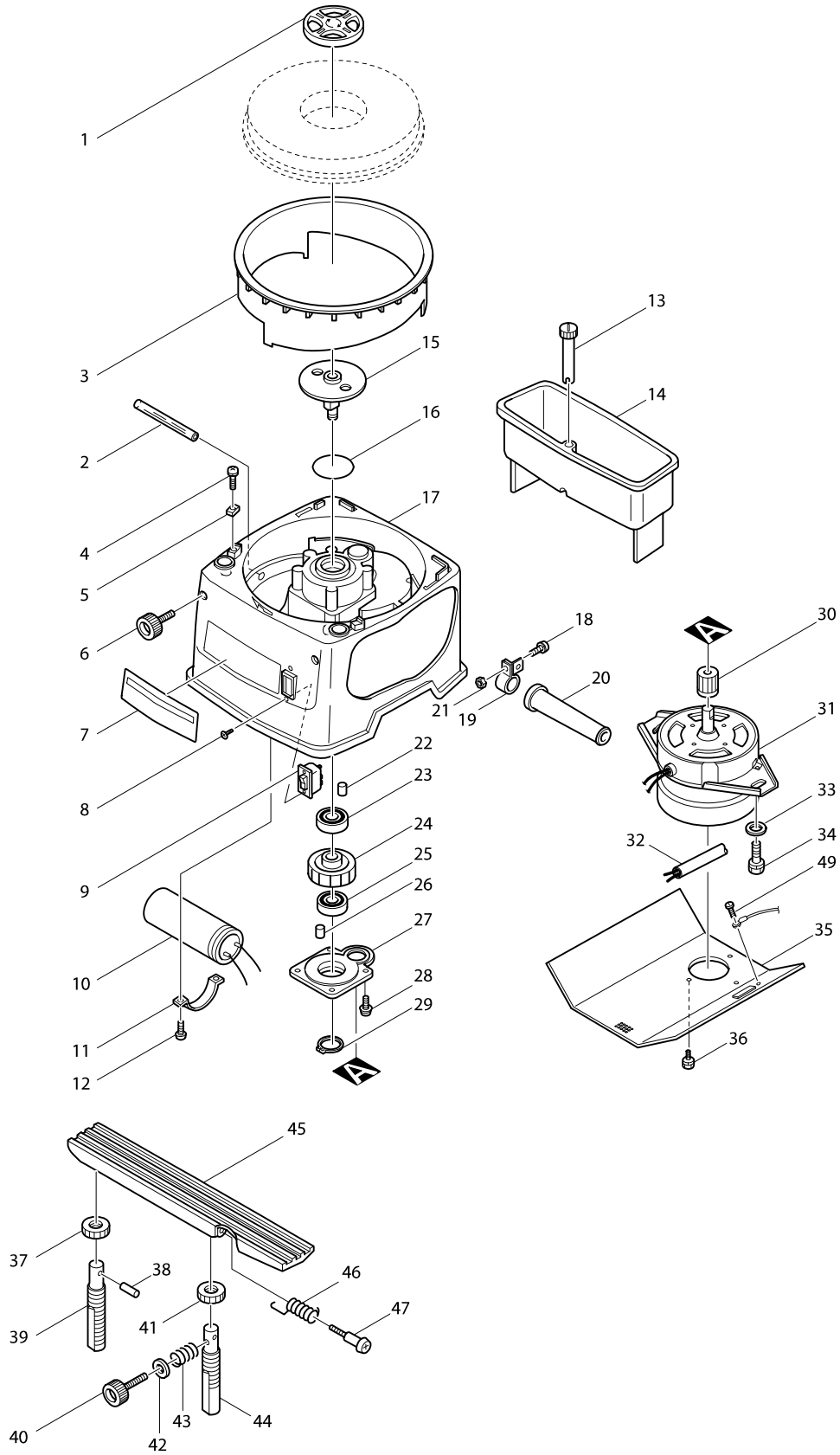


# Model No. 98202 SHARPENER 200MM



# Model No. 98202 SHARPENER 200MM

Item	Parts No.	Description	I/C	Qty	N/O	Sales	Purch.	Note
001	271235-2	KNOB 65		1				
002	412033-7	VINYL TUBE 8X10X100		1				
003	411429-9	WHEEL COVER		1				
004	911231-5	PAN HEAD SCREW M5X20		2				
005	341392-1	SET PLATE		2				
006	251847-7	SCREW M6X31		1				
007	854233-7	NAME PLATE 98202		1				
008	912002-3	COUNTERSUNK HEAD SCREW M3X6		2				
009	651502-5	SWITCH W115ADT-2		1				
010B_	645315-4	CAPACITOR 220V(METALIZED FILM)		1	*			
010B1	645315-4	CAPACITOR 220V(METALIZED FILM)	O	1				
011	687629-5	CAPACITOR CLAMP		1				
012	911231-5	PAN HEAD SCREW M5X20		2				
013	271405-3	THUMB PIPE 20		1				
014	411431-2	TANK		1				
015	314087-9	SPINDLE		1				
016	213504-5	O RING 40		1				
017-2	151274-7	FRAME COMPLETE		1				
018	911141-6	PAN HEAD SCREW M4X22		1				
019	687015-0	STRAIN RELIEF		1				
020A_	682502-4	CORD GUARD 8-85		1				
021	931102-0	HEX. NUT M4		2	*			
022	263002-9	RUBBER PIN 4		1				
023	211206-7	BALL BEARING 6202LLB		1				
024	221643-7	HELICAL GEAR 38		1				
025	211106-1	BALL BEARING 6201LLB		1				
026	263002-9	RUBBER PIN 4		1				
027-1	152205-9	GEAR COVER COMPLETE		1				
D10		INC. 26						
028	911249-6	PAN HEAD SCREW M5X28		4				
029	961052-5	RETAINING RING S-12		1				
030	221642-9	HELICAL GEAR 12		1				
031B2	629646-9	MOTOR 220V		1				
032N_	692234-5	POWER SUPPLY CORD 1.0-3-2.5		1				
033	941251-5	FLAT WASHER 10		1				
034	921551-9	HEX. BOLT M10X30		1				
035-2	344030-4	UNDER COVER		1				
036-2	911108-4	PAN HEAD SCREW M4X8		3	*			
036-3	911103-4	PAN HEAD SCREW M4X6	<	3				
037	252619-3	WING NUT M16		1				
038	256712-5	PIN 6		1				
039	325540-0	SUB POLE		1				
040	251817-6	SCREW M6X41		1				
041	252619-3	WING NUT M16		1				
042	941151-9	FLAT WASHER 6		2				
043	231255-8	COMPRESSION SPRING 7		1				
044	325539-5	MAIN POLE		1				
045	311419-1	RAIL		1				

