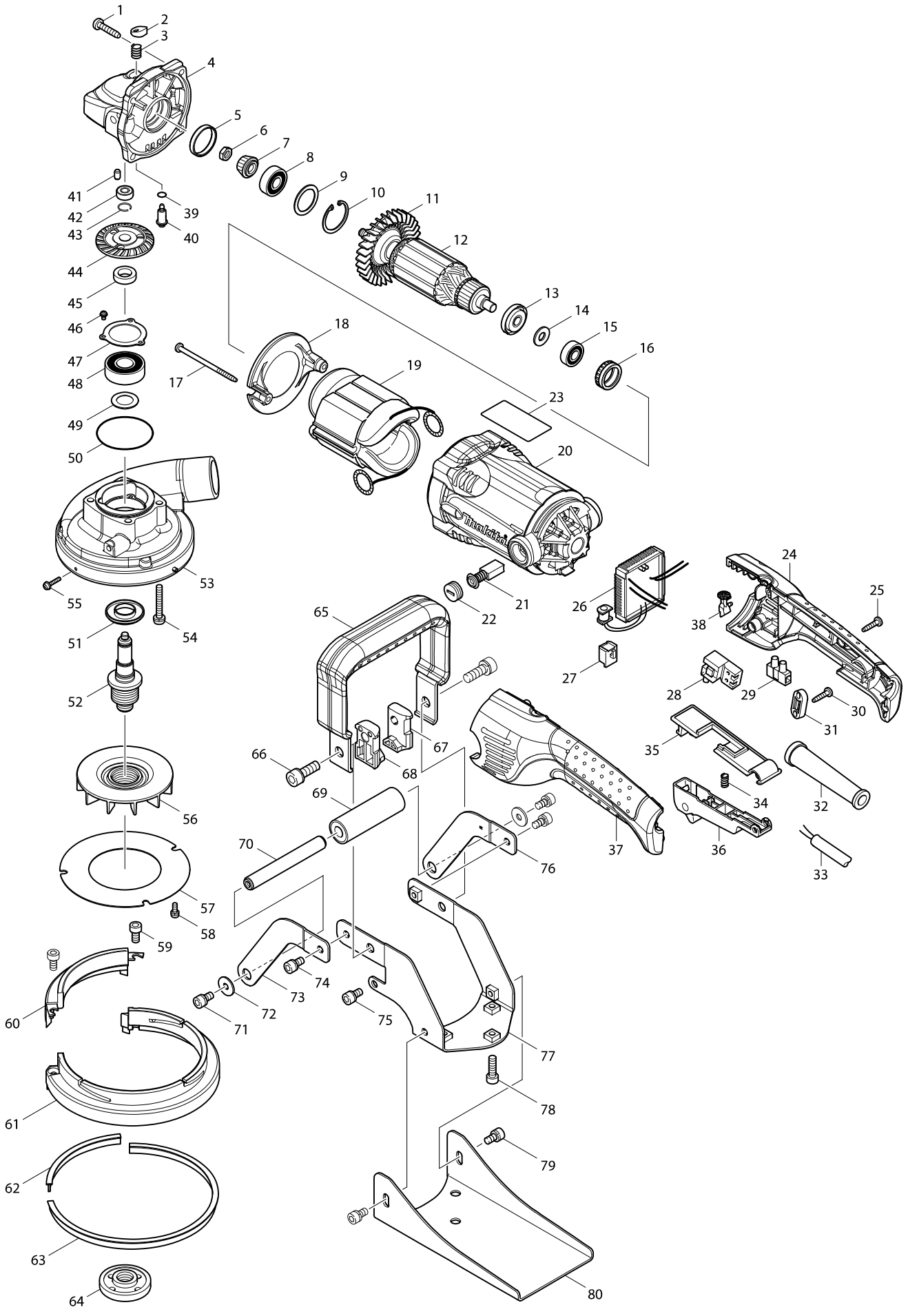


# Model No. PC5001C CONCRETE PLANER 125MM



# Model No. PC5001C CONCRETE PLANER 125MM

| Item   | Parts No. | Description               | I/C | Qty | N/O | Sales | Purch. | Note |
|--------|-----------|---------------------------|-----|-----|-----|-------|--------|------|
| 001    | 266459-3  | TAPPING SCREW 5X25        |     | 4   |     |       |        |      |
| 002    | 417771-6  | PIN CAP                   |     | 1   |     |       |        |      |
| 003    | 234057-1  | COMPRESSION SPRING 8      |     | 1   |     |       |        |      |
| 004    | 318158-4  | GEAR HOUSING              |     | 1   |     |       |        |      |
| 005    | 424051-3  | RUBBER RING 26            |     | 1   |     |       |        |      |
| 006    | 264010-3  | HEX.NUT M7                |     | 1   |     |       |        |      |
| 007    | 227520-1  | SPIRAL BEVEL GEAR 11      |     | 1   |     |       |        |      |
| 008-1  | 210059-1  | BALL BEARING 600DDW       |     | 1   |     |       |        |      |
| 009    | 267352-4  | FLAT WASHER 22            |     | 1   |     |       |        |      |
| 010    | 962107-9  | RETAINING RING (INT) R-30 |     | 1   |     |       |        |      |
| 011    | 240094-5  | FAN 70                    |     | 1   |     |       |        |      |
| 012A   | 518676-4  | ARMATURE ASS'Y 220V       |     | 1   | *   |       |        |      |
| D10    |           | INC. 11,13-15             |     |     | *   |       |        |      |
| 012B   | 518675-6  | ARMATURE ASS'Y 115V       |     | 1   | *   |       |        |      |
| D10    |           | INC. 11,13-15             |     |     | *   |       |        |      |
| 012-1A | 518686-1  | ARMATURE ASS'Y 220V       | <   | 1   |     |       |        |      |
| D10    |           | INC. 11,13-15             |     |     |     |       |        |      |
| 012-1B | 518689-5  | ARMATURE ASS'Y 115V       | <   | 1   |     |       |        |      |
| D10    |           | INC. 11,13-15             |     |     |     |       |        |      |
| 013    | 681660-3  | INSULATION WASHER         |     | 1   |     |       |        |      |
| 014    | 267281-1  | FLAT WASHER 8             |     | 1   |     |       |        |      |
| 015-1  | 210005-4  | BALL BEARING 608DDW       |     | 1   |     |       |        |      |
| 016    | 421720-7  | RUBBER RING 22            |     | 1   |     |       |        |      |
| 017    | 266325-4  | TAPPING SCREW 4X70        |     | 2   |     |       |        |      |
| 018    | 419961-7  | BAFFLE PLATE              |     | 1   |     |       |        |      |
| 019A   | 525783-6  | FIELD ASS'Y 220V          |     | 1   | *   |       |        |      |
| C10    | 654020-2  | RING TERMINAL             |     | 2   | *   |       |        |      |
| C20    | 654501-6  | CONNECTOR P-1.25          |     | 2   | *   |       |        |      |
| 019B   | 528810-8  | FIELD ASS'Y 115V          |     | 1   |     |       |        |      |
| C10    | 654020-2  | RING TERMINAL             |     | 2   |     |       |        |      |
| C20    | 654501-6  | CONNECTOR P-1.25          |     | 2   |     |       |        |      |
| 019-1A | 525784-4  | FIELD ASS'Y 240V          | S   | 1   |     |       |        |      |
| C10    | 654020-2  | RING TERMINAL             |     | 2   |     |       |        |      |
| C20    | 654501-6  | CONNECTOR P-1.25          |     | 2   |     |       |        |      |
| 020    | 140019-8  | MOTOR HOUSING COMPLETE    |     | 1   |     |       |        |      |
| C10    | 643751-8  | BRUSH HOLDER              |     | 2   |     |       |        |      |
| 021    | 194547-5  | CARBON BRUSH CB-253       |     | 1   |     |       |        |      |
| 022    | 643750-0  | BRUSH HOLDER CAP 7-11     |     | 2   |     |       |        |      |
| 023    | 866331-5  | PC5001C NAME PLATE        |     | 1   |     |       |        |      |
| 024    | 188630-8  | HANDLE SET                |     | 1   |     |       |        |      |
| D10    |           | INC. 37                   |     |     |     |       |        |      |
| 025    | 266326-2  | TAPPING SCREW 4X18        |     | 4   |     |       |        |      |
| 026A   | 631799-2  | CONTROLLER                |     | 1   |     |       |        |      |
| 026B   | 631797-6  | CONTROLLER                |     | 1   |     |       |        |      |
| 027    | 418518-1  | SLEEVE                    |     | 1   |     |       |        |      |
| 028    | 651922-3  | SWITCH TG71B              |     | 1   | *   |       |        |      |
| 028-1  | 650677-7  | SWITCH C3PA-1112          | <   | 1   | *   |       |        |      |
| 028-2  | 651922-3  | SWITCH TG71B              | <   | 1   |     |       |        |      |

# Model No. PC5001C CONCRETE PLANER 125MM

| Item  | Parts No. | Description                    | I/C | Qty | N/O | Sales | Purch. | Note |
|-------|-----------|--------------------------------|-----|-----|-----|-------|--------|------|
| 029   | 654575-7  | TERMINAL BLOCK                 |     | 1   |     |       |        |      |
| 030   | 266326-2  | TAPPING SCREW 4X18             |     | 2   |     |       |        |      |
| 031A  | 687124-5  | STRAIN RELIEF                  |     | 1   |     |       |        |      |
| 031B  | 687123-7  | STRAIN RELIEF                  |     | 1   |     |       |        |      |
| 032   | 682574-9  | CORD GUARD 10-90               |     | 1   |     |       |        |      |
| 033A  | 692541-6  | POWER SUPPLY CORD 1.00-2-5.0   |     | 1   |     |       |        |      |
| 033B  | 664276-9  | POWER SUPPLY CORD AWG#16-2-5.0 |     | 1   |     |       |        |      |
| 034   | 233117-6  | COMPRESSION SPRING 6           |     | 1   |     |       |        |      |
| 035   | 418519-9  | SWITCH BASE                    |     | 1   |     |       |        |      |
| 036   | 158403-3  | SWITCH LEVER C COMPLETE        |     | 1   |     |       |        |      |
| 037   | 188630-8  | HANDLE SET                     |     | 1   |     |       |        |      |
| D10   |           | INC. 24                        |     |     |     |       |        |      |
| 038   | 450184-8  | LENZ                           |     | 1   |     |       |        |      |
| 039   | 213977-2  | O RING 7                       |     | 1   |     |       |        |      |
| 040   | 256505-0  | SHOULDER PIN 5                 |     | 1   |     |       |        |      |
| 041   | 263002-9  | RUBBER PIN 4                   |     | 1   |     |       |        |      |
| 042   | 210033-9  | BALL BEARING 696ZZ             |     | 1   |     |       |        |      |
| 043   | 233950-6  | RING SPRING 11                 |     | 1   |     |       |        |      |
| 044   | 227521-9  | SPIRAL BEVEL GEAR 35A          |     | 1   |     |       |        |      |
| 045   | 257171-6  | RING 12                        |     | 1   |     |       |        |      |
| 046   | 911003-8  | PAN HEAD SCREW M3X6            |     | 3   |     |       |        |      |
| 047   | 285728-3  | BEARING RETAINER 39            |     | 1   |     |       |        |      |
| 048   | 211241-5  | BALL BEARING 6202DDW           |     | 1   |     |       |        |      |
| 049   | 253853-8  | FLAT WASHER 15                 |     | 1   |     |       |        |      |
| 050   | 213624-5  | O RING 48                      |     | 1   |     |       |        |      |
| 051   | 345464-4  | LABYRINTH RING                 |     | 1   |     |       |        |      |
| 052   | 325625-2  | SPINDLE                        |     | 1   |     |       |        |      |
| 053-1 | 141021-4  | SKIRT B COMPLETE               |     | 1   |     |       |        |      |
| 054   | 911256-9  | PAN HEAD SCREW M5X35           |     | 4   |     |       |        |      |
| 055   | 911024-0  | PAN HEAD SCREW M3X14           |     | 1   |     |       |        |      |
| 056   | 240114-5  | FAN 85                         |     | 1   |     |       |        |      |
| 057   | 346045-7  | SEPARATOR                      |     | 1   |     |       |        |      |
| 058   | 911115-7  | PAN HEAD SCREW M4X10           |     | 3   |     |       |        |      |
| 059   | 922312-0  | HEX. SOCKET HEAD BOLT M6X12    |     | 2   |     |       |        |      |
| 060   | 424188-6  | DUST COVER CAP                 |     | 1   | *   |       |        |      |
| 060-1 | 424526-2  | DUST COVER CAP                 | S   | 1   |     |       |        |      |
| 061   | 424187-8  | DUST COVER                     |     | 1   | *   |       |        |      |
| 061-1 | 424525-4  | DUST COVER                     | S   | 1   |     |       |        |      |
| 062   | 443145-5  | BRUSH B                        |     | 1   | *   |       |        |      |
| 062-1 | 743341-8  | BRUSH B                        | S   | 1   |     |       |        |      |
| 063   | 443144-7  | BRUSH A                        |     | 1   | *   |       |        |      |
| 063-1 | 743340-0  | BRUSH A                        | S   | 1   |     |       |        |      |
| 064   | 224554-5  | LOCK NUT 14-45                 |     | 1   |     |       |        |      |
| 065   | 273529-1  | GRIP                           |     | 1   |     |       |        |      |
| 066   | 922441-9  | HEX. SOCKET HEAD BOLT M8X25    |     | 2   |     |       |        |      |
| 067   | 450190-3  | SPACER B                       |     | 1   |     |       |        |      |
| 068   | 450190-3  | SPACER B                       |     | 1   |     |       |        |      |
| 069   | 152179-4  | FRONT ROLLER COMPLETE          |     | 1   |     |       |        |      |

**Model No. PC5001C CONCRETE PLANER 125MM**

| Item  | Parts No. | Description                  | I/C | Qty | N/O | Sales | Purch. | Note |
|-------|-----------|------------------------------|-----|-----|-----|-------|--------|------|
| 070   | 321436-3  | FRONT ROLLER SHAFT           |     | 1   |     |       |        |      |
| 071   | 922311-2  | HEX. SOCKET HEAD BOLT M6X12  |     | 2   |     |       |        |      |
| 072   | 253011-6  | FLAT WASHER 6                |     | 2   |     |       |        |      |
| 073   | 346042-3  | ROLLER HOLDER L              |     | 1   |     |       |        |      |
| 074   | 922311-2  | HEX. SOCKET HEAD BOLT M6X12  |     | 2   |     |       |        |      |
| 075   | 922311-2  | HEX. SOCKET HEAD BOLT M6X12  |     | 1   |     |       |        |      |
| 076   | 346043-1  | ROLLER HOLDER R              |     | 1   |     |       |        |      |
| 077   | 346044-9  | BASE HOLDER                  |     | 1   |     |       |        |      |
| 078-1 | 265498-0  | HEX.SOCKET HEAD BOLT M6X20   |     | 3   |     |       |        |      |
| 079   | 922311-2  | HEX. SOCKET HEAD BOLT M6X12  |     | 2   |     |       |        |      |
| 080   | 341840-0  | BASE                         |     | 1   |     |       |        |      |
| 081   | 253828-7  | FLAT WASHER 10               |     | 1   |     |       |        |      |
| A01   | 122853-8  | DUST BAG ASS'Y               |     | 1   |     |       |        |      |
| A02   | 410047-0  | WRENCH HOLDER 5.6            |     | 1   |     |       |        |      |
| A03   | 782426-5  | LOCK NUT WRENCH 35           |     | 1   |     |       |        |      |
| A04   | 783203-8  | HEX. WRENCH 5                |     | 1   |     |       |        |      |
| A05   | 140073-2  | STEEL CARRYING CASE COMPLETE |     | 1   |     |       |        |      |
| C10   | 819351-8  | MAKITA LOGO LABEL            |     | 1   |     |       |        |      |
| A06   | 194921-7  | BRUSH SET                    |     | 1   | *   |       |        |      |
| A07   | B-12289   | OFFSET DIAMOND WHEEL 125     |     | 1   |     |       |        |      |
|       |           |                              |     |     |     |       |        |      |
|       |           |                              |     |     |     |       |        |      |
|       |           |                              |     |     |     |       |        |      |
|       |           |                              |     |     |     |       |        |      |
|       |           |                              |     |     |     |       |        |      |
|       |           |                              |     |     |     |       |        |      |
|       |           |                              |     |     |     |       |        |      |
|       |           |                              |     |     |     |       |        |      |
|       |           |                              |     |     |     |       |        |      |
|       |           |                              |     |     |     |       |        |      |
|       |           |                              |     |     |     |       |        |      |
|       |           |                              |     |     |     |       |        |      |
|       |           |                              |     |     |     |       |        |      |
|       |           |                              |     |     |     |       |        |      |
|       |           |                              |     |     |     |       |        |      |
|       |           |                              |     |     |     |       |        |      |
|       |           |                              |     |     |     |       |        |      |
|       |           |                              |     |     |     |       |        |      |
|       |           |                              |     |     |     |       |        |      |
|       |           |                              |     |     |     |       |        |      |
|       |           |                              |     |     |     |       |        |      |
|       |           |                              |     |     |     |       |        |      |
|       |           |                              |     |     |     |       |        |      |
|       |           |                              |     |     |     |       |        |      |
|       |           |                              |     |     |     |       |        |      |
|       |           |                              |     |     |     |       |        |      |
|       |           |                              |     |     |     |       |        |      |
|       |           |                              |     |     |     |       |        |      |
|       |           |                              |     |     |     |       |        |      |
|       |           |                              |     |     |     |       |        |      |
|       |           |                              |     |     |     |       |        |      |
|       |           |                              |     |     |     |       |        |      |
|       |           |                              |     |     |     |       |        |      |
|       |           |                              |     |     |     |       |        |      |
|       |           |                              |     |     |     |       |        |      |
|       |           |                              |     |     |     |       |        |      |
|       |           |                              |     |     |     |       |        |      |
|       |           |                              |     |     |     |       |        |      |