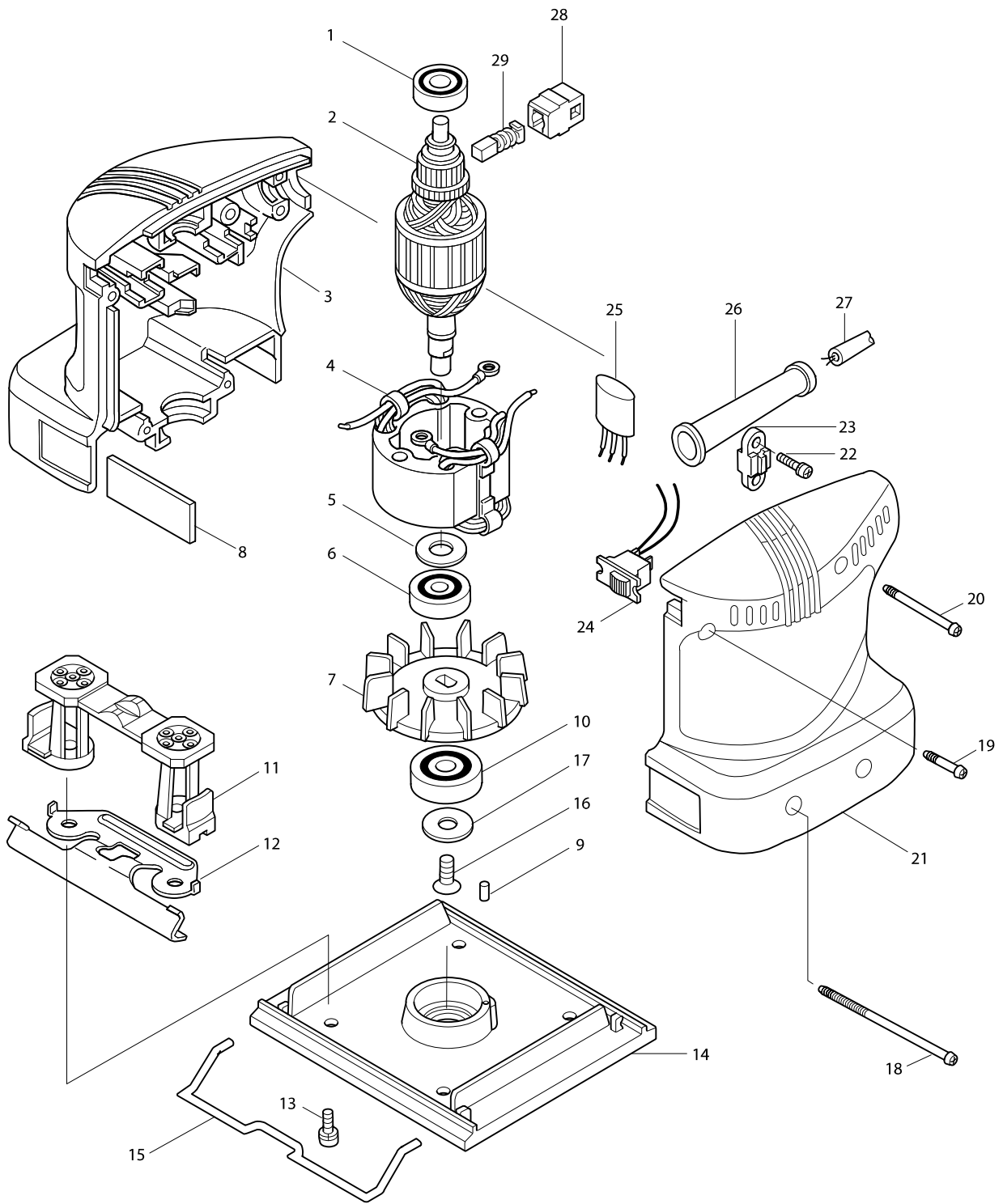


Model No. BO4540 FINISHING SANDER



Model No. BO4540 FINISHING SANDER

| Item | Parts No. | Description | I/C | Qty | N/O | Sales | Purch. | Note |
|-------|-----------|------------------------------|-----|-----|-----|-------|--------|------|
| 001 | 211016-2 | BALL BEARING 626LLB | | 1 | | | | |
| 002D_ | 511548-2 | ARMATURE ASS'Y 220V | | 1 | * | | | |
| D11 | | INC. 1,5,6 | | | * | | | |
| 002D1 | 510076-4 | ARMATURE ASS'Y 220V | O | 1 | * | | | |
| D11 | | INC. 1,5,6 | | | * | | | |
| 002D2 | 510076-4 | ARMATURE ASS'Y 220V | O | 1 | * | | | |
| D11 | | INC. 1,5,6 | | | * | | | |
| 002D3 | 511548-2 | ARMATURE ASS'Y 220V | O | 1 | | | | |
| D11 | | INC. 1,5,6 | | | | | | |
| 003 | 181956-7 | HOUSING SET | | 1 | * | | | |
| D10 | | INC 21 | | | * | | | |
| 003-1 | 182630-0 | HOUSING SET | O | 1 | | | | |
| D10 | | INC. 21-1 | | | | | | |
| 004C1 | 593003-6 | FIELD ASS'Y 220V | | 1 | | | | |
| 005 | 253214-2 | FLAT WASHER 9 | | 1 | | | | |
| 006-1 | 211092-6 | BALL BEARING 629DDW | | 1 | * | | | |
| 006-2 | 210078-7 | BALL BEARING 629DDW | O | 1 | * | | | |
| 006-3 | 211092-6 | BALL BEARING 629DDW | O | 1 | | | | |
| 007 | 241653-8 | FAN 65 | | 1 | * | | | |
| 007-1 | 241666-9 | FAN 65 | < | 1 | | | | |
| 008 | 855881-5 | NAME PLATE BO4540 | | 1 | | | | |
| 009 | 263002-9 | RUBBER PIN 4 | | 1 | * | | | |
| 010 | 211066-7 | BALL BEARING 6200LLB | | 1 | | | | |
| 011 | 410918-1 | FOOT | | 2 | | | | |
| 012-1 | 155957-1 | CLAMPER | | 2 | * | | | |
| C10 | 413039-8 | CLAMPER COVER | | 2 | * | | | |
| 012-2 | 153384-6 | CLAMPER COMPLETE | < | 2 | | | | |
| C10 | 413039-8 | CLAMPER COVER | | 2 | | | | |
| 013 | 911118-1 | PAN HEAD SCREW M4X12 | | 4 | | | | |
| 014 | 151232-3 | BASE COMPLETE | | 1 | * | | | |
| C10 | 443046-7 | FELT 100X110 | | 1 | * | | | |
| D10 | | INC 9 | | | * | | | |
| 014-1 | 151232-3 | BASE COMPLETE | O | 1 | | | | |
| C10 | 443046-7 | FELT 100X110 | | 1 | | | | |
| 015 | 321869-2 | LEVER | | 2 | | | | |
| 016 | 912112-6 | COUNTERSUNK HEAD SCREW M4X10 | | 1 | | | | |
| 017 | 253825-3 | FLAT WASHER 6 | | 1 | | | | |
| 018 | 265872-2 | TAPPING SCREW BT 4X50 | | 2 | | | | |
| 019 | 265875-6 | TAPPING SCREW BT 4X25 | | 1 | | | | |
| 020 | 265876-4 | TAPPING SCREW BT 4X40 | | 1 | | | | |
| 021 | 181956-7 | HOUSING SET | | 1 | * | | | |
| D10 | | INC 3 | | | * | | | |
| 021-1 | 182630-0 | HOUSING SET | O | 1 | | | | |
| D10 | | INC. 3-1 | | | | | | |
| 022-1 | 911133-5 | PAN HEAD SCREW M4X18 | | 2 | | | | |
| 023 | 687001-1 | STRAIN RELIEF | | 1 | | | | |
| 024A_ | 651600-5 | SWITCH SS106A | | 1 | | | | |
| 026 | 682502-4 | CORD GUARD 8-85 | | 1 | | | | |

