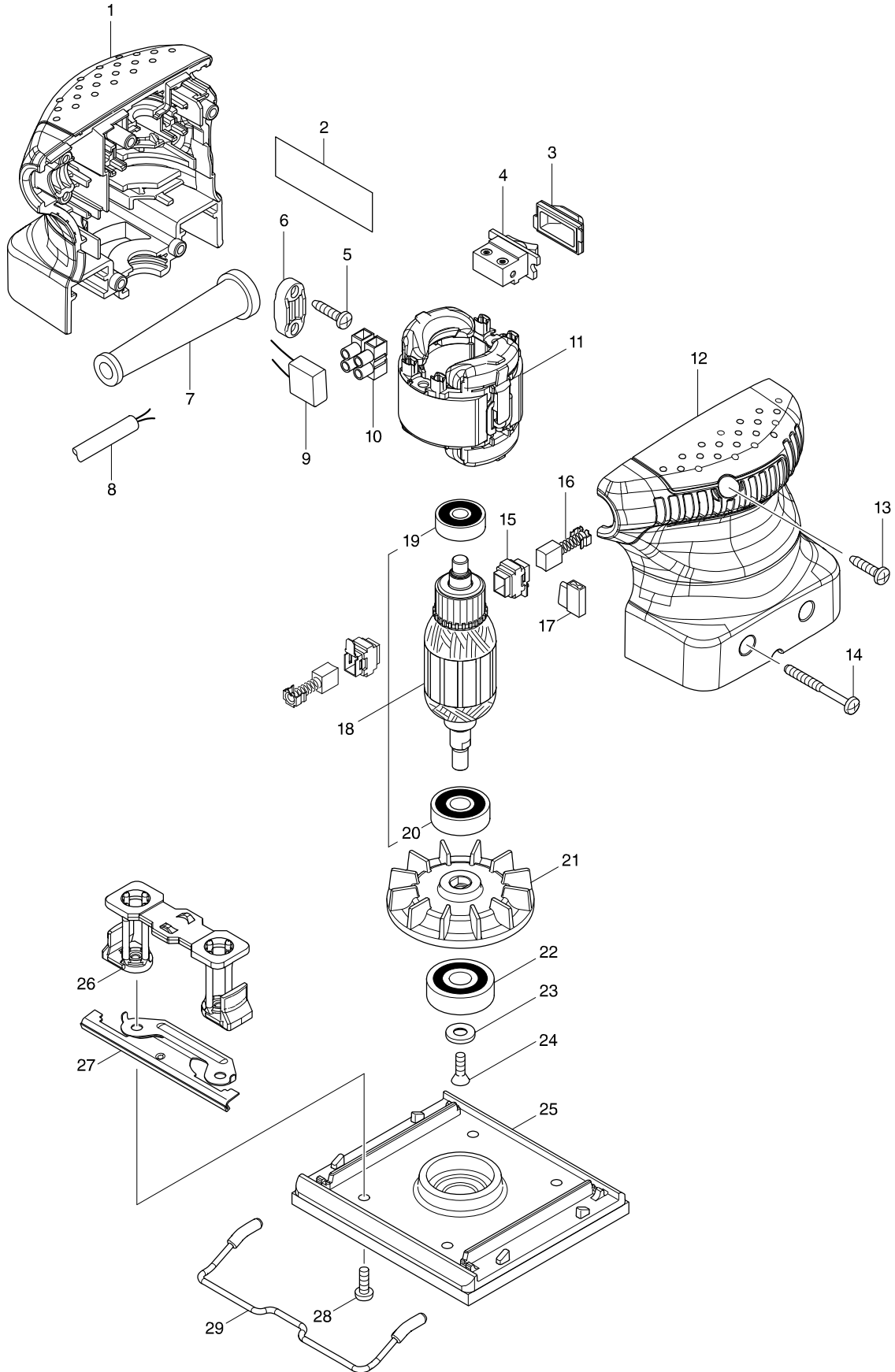


Model No. BO4510H FINISHING SANDER



Model No. BO4510H FINISHING SANDER

Item	Parts No.	Description	I/C	Qty	N/O	Sales	Purch.	Note
001	187913-3	HOUSING SET		1				
	D10	INC. 12						
002	850A37-1	BO4510H NAME PLATE		1				
003	424039-3	SWITCH COVER		1				
004	651527-9	SWITCH		1				
005	266326-2	TAPPING SCREW 4X18		2				
006	687123-7	STRAIN RELIEF		1				
007	682569-2	CORD GUARD 8-85		1				
008	692021-2	POWER SUPPLY CORD 1.0-2-2.5		1				
011	593848-2	FIELD ASS'Y 220V		1				
	C10	RECEPTACLE		2				
012	187913-3	HOUSING SET		1				
	D10	INC. 1						
013	266326-2	TAPPING SCREW 4X18		2				
014	266560-4	TAPPING SCREW 4X40		2				
015	643936-6	BRUSH HOLDER		2				
016	191962-4	CARBON BRUSH CB-419		1				
017	686039-3	RECEPTACLE SLEEVE		1				
018	518908-9	ARMATURE ASS'Y 220V		1				
	D10	INC. 19,20						
019	210025-8	BALL BEARING 627LLB		1				
020	211092-6	BALL BEARING 629DDW		1				
021	241652-0	FAN 65		1				
022	211066-7	BALL BEARING 6200LLB		1				
023	253825-3	FLAT WASHER 6		1				
024	912112-6	COUNTERSUNK HEAD SCREW M4X10		1				
025	142668-7	BASE COMPLETE		1				
026	455111-0	FOOT		2				
027	155957-1	CLAMPER		2				
028	915116-7	BINDING HEAD SCREW M4X12		4				
029	162365-9	LEVER COMPLETE		2				
A01	794195-6	ABRASIVE PAPER SET 114X100		1				