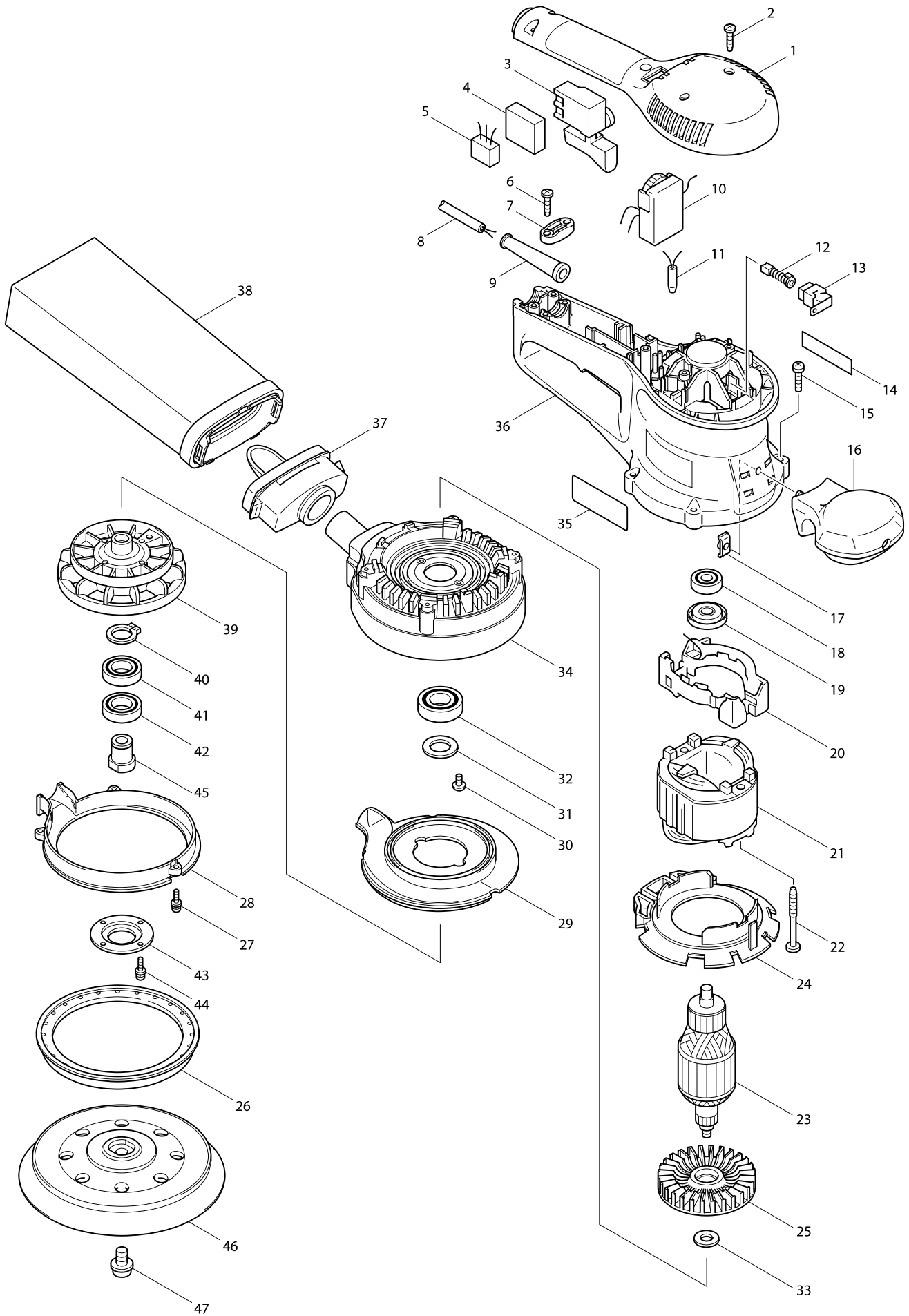


Model No. BO6030 RANDOM ORBIT SANDER 150MM



Model No. BO6030 RANDOM ORBIT SANDER 150MM

| Item | Parts No. | Description | I/C | Qty | N/O | Sales | Purch. | Note |
|-------|-----------|-----------------------------|-----|-----|-----|-------|--------|------|
| 001 | 417416-6 | TOP COVER | | 1 | | | | |
| 002 | 265995-6 | TAPPING SCREW 4X18 | | 5 | | | | |
| 003 | 651286-5 | SWITCH SGEL206C-5 | | 1 | | | | |
| 006 | 265995-6 | TAPPING SCREW 4X18 | | 2 | | | | |
| 007A_ | 687063-9 | CORD CLAMP | | 1 | | | | |
| 008 | 692021-2 | POWER SUPPLY CORD 1.0-2-2.5 | | 1 | | | | |
| 009 | 682559-5 | CORD GUARD 8 | | 1 | | | | |
| 010B_ | 631425-3 | CONTROLLER | | 1 | | | | |
| 012A_ | 191962-4 | CARBON BRUSH CB-419 | | 1 | | | | |
| 013 | 643923-5 | BRUSH HOLDER | | 2 | | | | |
| 014 | 819063-3 | MAKITA LABEL | | 1 | | | | |
| 015 | 911138-5 | PAN HEAD SCREW M4X20 | | 4 | | | | |
| 016 | 168324-1 | FRONT GRIP | | 1 | | | | |
| 017 | 252042-2 | SQUARE NUT M5 | | 1 | | | | |
| 018 | 210005-4 | BALL BEARING 608DDW | | 1 | | | | |
| 019 | 681644-1 | INSULATION WASHER | | 1 | | | | |
| 020 | 638067-4 | SUPPORT COMPLETE | | 1 | | | | |
| 021 | 634408-2 | FIELD 220-240V | | 1 | | | | |
| 022 | 266046-8 | TAPPING SCREW 5X50 | | 2 | | | | |
| 023 | 516453-8 | ARMATURE ASS'Y 220-240V | | 1 | | | | |
| D10 | | INC. 18,19,25 | | | | | | |
| 024 | 417415-8 | BAFFLE PLATE | | 1 | | | | |
| 025 | 240043-2 | FAN 70 | | 1 | | | | |
| 026 | 421763-9 | RUBBER GUARD | | 1 | | | | |
| 027 | 911018-5 | PAN HEAD SCREW M3X12 | | 3 | | | | |
| 028 | 183323-2 | SCROLL HOUSING SET | | 1 | | | | |
| D10 | | INC. 29 | | | | | | |
| 029 | 183323-2 | SCROLL HOUSING SET | | 1 | | | | |
| D10 | | INC. 28 | | | | | | |
| 030 | 251291-8 | + SCREW M4X8 | | 2 | | | | |
| 031 | 253315-6 | THIN WASHER 15 | | 1 | | | | |
| 032-1 | 211236-8 | BALL BEARING 6002DDW | | 1 | | | | |
| 033 | 253878-2 | FLAT WASHER 10 | | 1 | | | | |
| 034 | 317416-5 | SKIRT | | 1 | | | | |
| 035 | 852996-9 | NAME PLATE BO6030 | | 1 | * | | | |
| 035-1 | 851C05-9 | NAME PLATE BO6030 | < | 1 | | | | |
| 036 | 183322-4 | MOTOR HOUSING SET | | 1 | | | | |
| D10 | | INC. 14 | | | | | | |
| 037 | 151518-5 | DUST NOZZLE COMPLETE | | 1 | | | | |
| 038 | 151517-7 | DUST BAG COMPLETE | | 1 | | | | |
| 039 | 241665-1 | FAN 92 | | 1 | | | | |
| 040 | 961055-9 | RETAINING RING S-15 | | 1 | | | | |
| 041-1 | 211234-2 | BALLBEARING 6902LLB | | 1 | | | | |
| 042-1 | 211244-9 | BALL BEARING 6902LLU | | 1 | | | | |
| 043 | 285702-1 | BEARING RETAINER | | 1 | | | | |
| 044 | 911018-5 | PAN HEAD SCREW M3X12 | | 4 | | | | |
| 045 | 324144-5 | SPINDLE | | 1 | | | | |
| 046-2 | A-87812 | RUBBER PAD (SOFT) | | 1 | * | | | |

