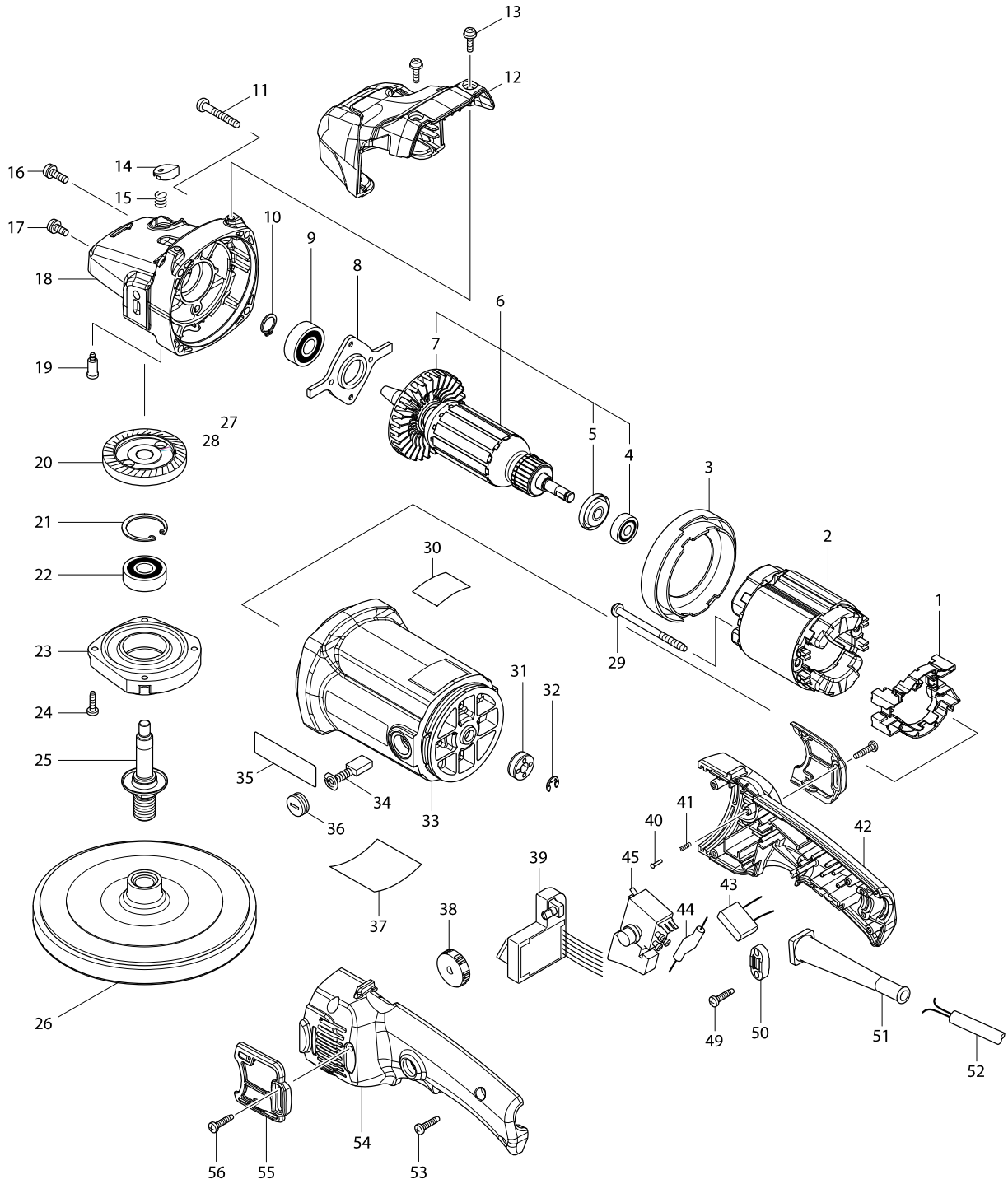


Model No. 9237CB 180MM POLISHER



Model No. 9237CB 180MM POLISHER

Item	Parts No.	Description	I/C	Qty	N/O	Sales	Purch.	Note
001	539168-0	SUPPORT ASS'Y		1				
C10	654020-2	RING TERMINAL		1				
C20	654501-6	CONNECTOR P-1.25		1				
002	634293-3	FIELD 220/240V		1				
003	416253-5	BAFFLE PLATE		1				
004	211031-6	BALL BEARING 608LLB		1				
005	681644-1	INSULATION WASHER		1				
006	516308-7	ARMATURE ASS'Y 220/240V		1				
D10		INC. 4,5,7						
007	240002-6	FAN 70		1				
008	285687-1	BEARING RETAINER 48		1				
009	211106-1	BALL BEARING 6201LLB		1				
010	961052-5	RETAINING RING S-12		1				
011	266012-5	TAPPING SCREW 5X35		4				
012	455291-2	HEAD COVER		1				
013	911118-1	PAN HEAD SCREW M4X12		2				
014	415491-6	PIN CAP		1				
015	233072-2	COMPRESSION SPRING 8		1				
016	911221-8	PAN HEAD SCREW M5X16		1				
017	911211-1	PAN HEAD SCREW M5X12		1				
018	142747-1	GEAR HOUSING COMPLETE		1				
019	256504-2	SHOULDER PIN 9		1				
020	227512-0	SPIRAL BEVEL GEAR 52		1				
021	962151-6	RETAINING RING R-32		1				
022	211106-1	BALL BEARING 6201LLB		1				
023	316896-2	BEARING BOX		1				
024	266034-5	TAPPING SCREW CT 4X16		4				
025	152553-6	SPINDLE COMPLETE		1				
C10	344347-5	LABYRINTH RING		1				
026	743054-1	PAD 165		1				
029	266038-7	TAPPING SCREW 5X70		2				
030	804M47-2	INDICATION LABEL		1				
031	688110-9	MAGNET SLEEVE		1				
032	961012-7	STOP RING E-6		1				
033	187958-1	MOTOR HOUSING SET		1				
C10	643708-9	BRUSH HOLDER 5-11		2				
034	191963-2	CARBON BRUSH CB-303		1				
036	643750-0	BRUSH HOLDER CAP 7-11		2				
037	815Y34-8	9237CB NAME PLATE		1				
038	271417-6	DIAL 28		1				
039	631227-7	CONTROLLER 200-250V		1				
040	255058-6	RIVET 2		1				
041	233002-3	COMPRESSION SPRING 3		1				
042	187917-5	HANDLE SET		1				
D10		INC. 54						
045	651282-3	SWITCH		1				
049	265995-6	TAPPING SCREW 4X18		2				
050	687052-4	STRAIN RELIEF		1				

