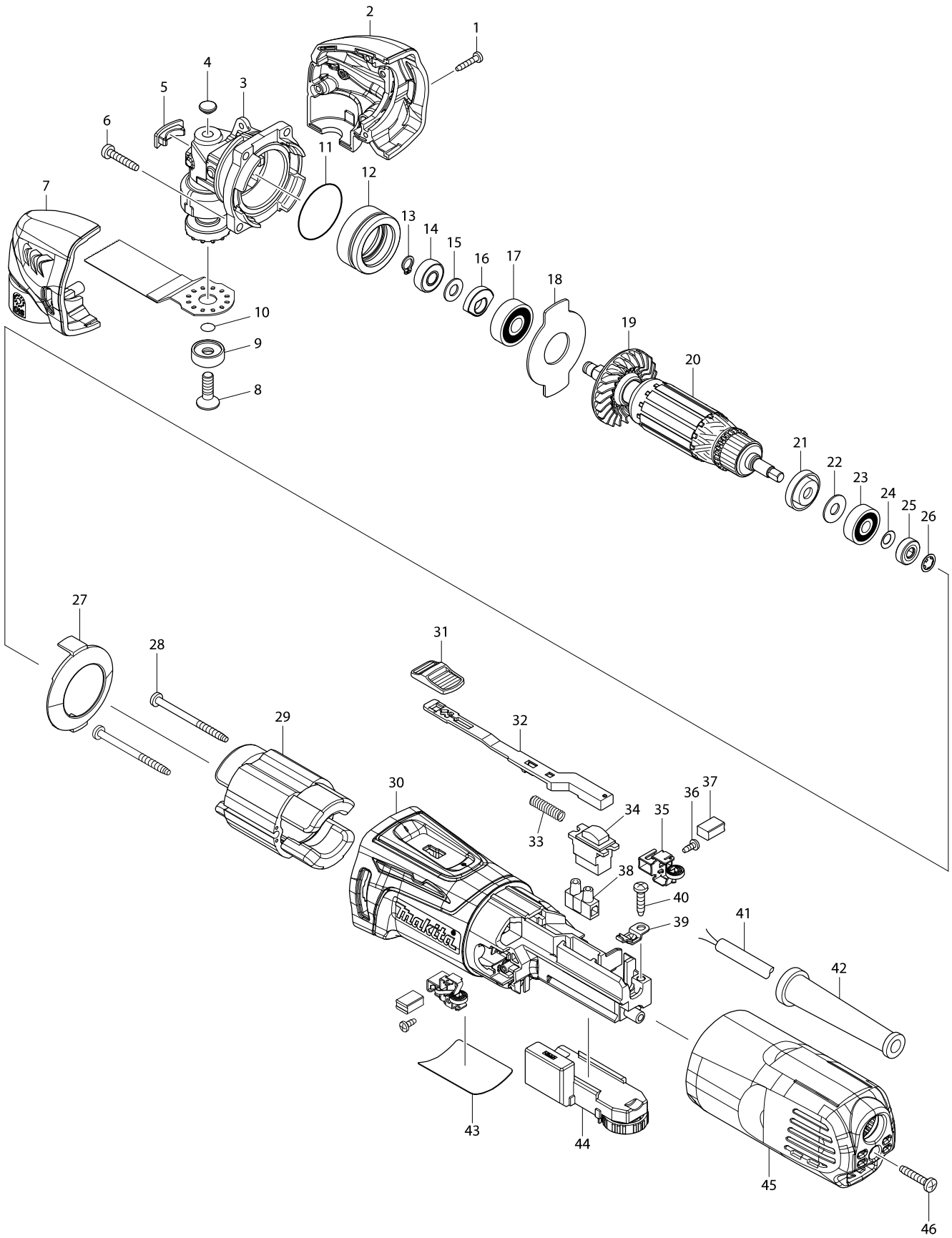


Model No. TM3000C MULTI TOOL



Model No. TM3000C MULTI TOOL

Item	Parts No.	Description	I/C	Qty	N/O	Sales	Purch.	Note
001	266429-2	TAPPING SCREW 3X16		3				
002	187373-9	HEAD COVER SET		1				
D10		INC. 7						
003	141640-6	CRANK HOUSING COMPLETE		1	*			
003-1	142075-4	CRANK HOUSING COMPLETE	<	1	*			
003-2	142399-8	CRANK HOUSING COMPLETE	<	1				
004	424511-5	CRANK HOUSING CAP B		1				
005	424510-7	CRANK HOUSING CAP A		1				
006	266424-2	TAPPING SCREW 4X20		4				
007	187373-9	HEAD COVER SET		1				
D10		INC. 2						
008	266783-4	HEX.SOCKET C.S.H.SCREW M6X20		1				
009	224455-7	OUTER FLANGE 22		1				
010	213021-5	O RING 5		1				
011	213479-8	O RING 33		1				
012	326199-6	BEARING BOX		1				
013	961003-8	RETAINING RING S-7		1				
014	211392-4	SPHERE BEARING 706		1				
015	253133-2	FLAT WASHER 7		1				
016	313245-4	BALANCER		1				
017	211092-6	BALL BEARING 629DDW		1				
018	285857-2	BEARING RETAINNER		1				
019	240140-4	FAN 46		1				
020	518755-8	ARMATURE ASSEMBLY 220V		1				
D10		INC. 19,21-26						
021	681636-0	INSULATION WASHER		1				
022	267426-1	FLAT WASHER 7		1				
023	210023-2	BALL BEARING 627DDW		1				
024	267756-0	WAVE WASHER 6		1				
025	688174-3	MAGNET SLEEVE		1				
026	259039-2	SELF LOCK 6		1				
027	453828-9	BAFFLE PLATE		1				
028	266415-3	TAPPING SCREW 4X55		2				
029	623558-8	FIELD 220-240V		1				
030	453823-9	MOTOR HOUSING		1				
031	453761-5	SWITCH KNOB		1				
032	453825-5	SWITCH LEVER		1				
033	234263-8	COMPRESSION SPRING 5		1				
034	651609-7	SWITCH SS106A-7-1		1				
035	643839-4	BRUSH HOLDER 6X9		2				
036	266492-5	TAPPING SCREW 3X8		2				
037	194722-3	CARBON BRUSH CB-459		1				
038	654532-5	TERMINAL BLOCK 1P		1				
039	687681-3	STRAIN RELIEF		1				
040	266326-2	TAPPING SCREW 4X18		1				
041	692037-7	POWER SUPPLY CORD 1.0-2-5.0		1				
042	682569-2	CORD GUARD 8-85		1				
043	897303-9	TM3000C NAME PLATE		1				

Model No. TM3000C MULTI TOOL

Item	Parts No.	Description	I/C	Qty	N/O	Sales	Purch.	Note
044	620149-6	CONTROLLER		1				
045	453824-7	REAR COVER		1				
046	266424-2	TAPPING SCREW 4X20		1				
A01	410047-0	WRENCH HOLDER 5.6		1				
A02	783203-8	HEX. WRENCH 5		1				
A03B	196055-2	TOOL SET K		1	*			
A04B	821537-2	PLASTIC CARRYING CASE		1	*			
C10	162315-4	LATCH		2	*			
C20	452137-3	HANDLE		1	*			
A04-1B	821596-6	PLASTIC CARRYING CASE	<	1				
C10	162315-4	LATCH		2				
C20	452137-3	HANDLE		1				
A05B	800F11-9	TM3000CX1 PLASTIC CASE LABEL		2				
A07B	196272-4	ADAPTER A SET		1				
A08B	B-21325	SEGMENT SAW BLADE 85 TMA006		1	*			
A08-1B	B-21325	SEGMENT SAW BLADE 85 TMA006	O	1				
A09B	B-21353	PLUNGE CUT SAW BLADE 28 TMA009		1	*			
A09-1B	B-21353	PLUNGE CUT SAW BLADE 28 TMA009	O	1				
A10B	B-21537	SANDING PAD		1				
A11B	821538-0	TOOL BOX		1				