

# Makita

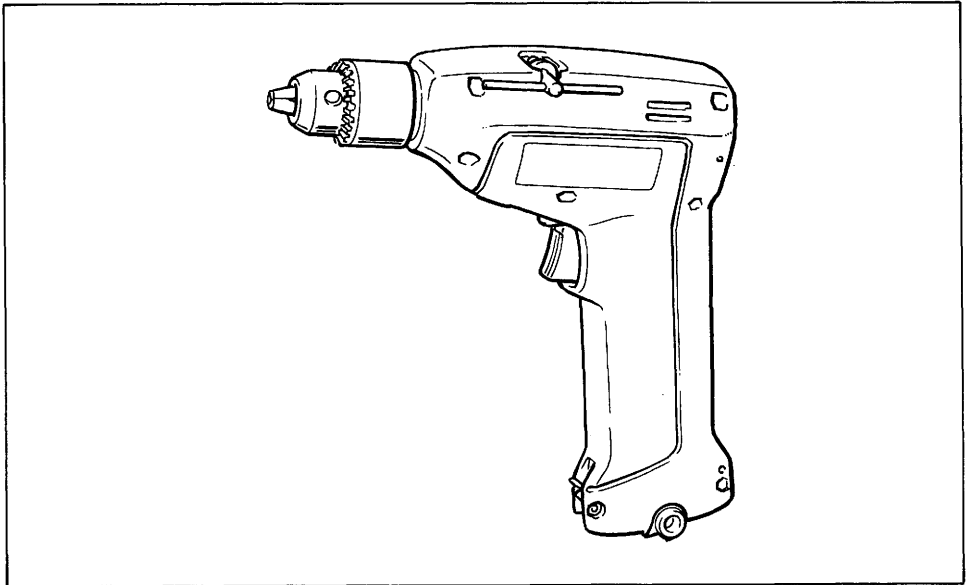
## Cordless Drill

**10 mm (3/8'')** MODEL 6010D

**10 mm (3/8'')** MODEL 6010DW  
With Fast Charger

**10 mm (3/8'')** MODEL 6010DWK  
With Fast Charger and Carrying Case

### INSTRUCTION MANUAL



### SPECIFICATIONS

• Model 6010D

Capacities		No load speed (RPM)	Overall length	Net weight
Steel / Wood	Wood screw			
10 mm (3/8'')	4.5 mm x 20 mm (3/16'' x 3/4'')	600	227 mm (9'')	1.1 kg (2.4 lbs)

• Battery Cartridge 7000

• Model DC9710 Battery Charger

Voltage	Input	Output
7.2 V	A.C. only 50 Hz — 60 Hz	D.C. 7.2 V — 9.6 V

\* Manufacturer reserves the right to change specifications without notice.

\* Note: Specifications may differ from country to country.

## **SAFETY INSTRUCTIONS**

**WARNING!** When using battery operated machines basic safety precautions, including the following, should be followed to reduce the risk of fire, leaking batteries and personal injury: Read these instructions before operating this product and save these instructions.

**For safe operation:**

- 1. Keep work area clean**
  - Cluttered areas and benches invite injuries.
- 2. Consider the work environment**
  - Do not expose the machine to rain. Keep work area well lit. Do not use machines in the presence of flammable liquids or gases.
- 3. Keep children away**
  - Do not let visitors touch the machine. Keep visitors away from work area.
- 4. Store batteries or idle machines**
  - When not in use, machines and batteries should be stored separately in a dry, high or locked up place, out of reach of children.
  - Ensure that battery terminals cannot be shorted by other metal parts such as screws, nails, etc.
- 5. Do not force the machine**
  - It will do the job better and safer at the rate for which it was intended.
- 6. Use the right machine**
  - Do not force small machines or attachments to do the job of a heavy duty machines. Do not use machines for purposes not intended.
- 7. Dress properly**
  - Do not wear loose clothing or jewellery, they can be caught in moving parts. Non-skid footwear is recommended when working outdoors. Wear protecting hair covering to contain long hair.
- 8. Use protective equipment**
  - Use safety glasses and if the cutting operation is dusty, a face or dust mask.
- 9. Connect dust extraction equipment**
  - If devices are provided for the connection of dust extraction and collection ensure these are connected and properly used.
- 10. Do not abuse the supply cord (if fitted)**
  - Never carry the machine by the cord or yank it to disconnect from the socket. Keep the cord away from heat, oil and sharp edges.
- 11. Secure the work**
  - Use clamps or a vice to hold the work. It is safer than using your hand and it frees both hands to operate the machine.
- 12. Do not over-reach**
  - Keep proper footing and balance at all times.
- 13. Maintain machines with care**
  - Keep cutting machines sharp and clean for better and safer performance. Follow instructions for lubrication and changing accessories. Inspect machine cords periodically and if damaged have repaired by an authorized service facility.
- 14. Disconnect machines**
  - Where the design permits, disconnect the machine from its battery pack when not in use, before servicing and when changing accessories such as blades, bits and cutters.
- 15. Remove adjusting keys and wrenches**
  - Form the habit of checking to see that keys and adjusting wrenches are removed from the machine before turning it on.

## 16. Avoid unintentional starting

- Do not carry the machine with a finger on the switch.

## 17. Stay alert

- Watch what you are doing. Use common sense. Do not operate the machine when you are tired.

## 18. Check damaged parts

- Before further use of the machine, a guard or other part that is damaged should be carefully checked to determine that it will operate properly and perform its intended function. Check for alignment of moving parts, free running of moving parts, breakage of parts, mounting and any other condition that may affect its operation. A guard or other part that may affect its operation. A guard or other part that is damaged should be properly repaired or replaced by an authorized service facility unless otherwise indicated in this instruction manual. Have defective switches replaced by an authorized service facility. Do not use the machine if the switch does not turn it on and off.

## 19. Warning

- The use of any accessory or attachment, other than recommended in this instruction manual, may present a risk of personal injury.
- Ensure that the battery pack is correct for the machine.
- Ensure that the outside surface of battery pack or machine is clean and dry before plugging into charger.
- Ensure that batteries are charged using the correct charger recommended by the manufacturer. Incorrect use may result in a risk of electric shock, overheating or leakage of corrosive liquid from the battery.

## 20. Have your machine repaired by a qualified person

- This machine is constructed in accordance with the relevant safety requirements. Repairs should only be carried out by qualified persons using original spare parts, otherwise this may result in considerable danger to the user.

## 21. Disposal of battery

- Ensure battery is disposed of safely as instructed by the manufacturer.

## Symbols

The following show the symbols used for machine. Be sure that you understand their meaning before use.



Indoor use only



Do not short batteries.



Read instruction manual.



Always recycle batteries.

Ni-Cd

NI-MH



DOUBLE INSULATION



Do not discard batteries into garbage can or the like.

Cd

NI-MH

## Note:

The recycling method may differ from country to country, or state (province) to state (province). Consult with your nearest Makita Authorized Service Center or Distributor.

## IMPORTANT SAFETY INSTRUCTIONS

1. **SAVE THESE INSTRUCTIONS** — This manual contains important safety and operating instructions for battery charger.
2. Before using battery charger, read all instructions and cautionary markings on (1) battery charger, (2) battery, and (3) product using battery.
3. **CAUTION** — To reduce risk of injury, charge only MAKITA type rechargeable batteries. Other types of batteries may burst causing personal injury and damage.
4. Do not expose charger to rain or snow.
5. Use of an attachment not recommended or sold by the battery charger manufacturer may result in a risk of fire, electric shock, or injury to persons.
6. To reduce risk of damage to electric plug and cord, pull by plug rather than cord when disconnecting charger.
7. Make sure cord is located so that it will not be stepped on, tripped over, or otherwise subjected to damage or stress.
8. Do not operate charger with damaged cord or plug — replace them immediately.
9. Do not operate charger if it has received a sharp blow, been dropped, or otherwise damaged in any way; take it to a qualified serviceman.
10. Do not disassemble charger or battery cartridge; take it to a qualified serviceman when service or repair is required. Incorrect reassembly may result in a risk of electric shock or fire.
11. To reduce risk of electric shock, unplug charger from outlet before attempting any maintenance or cleaning. Turning off controls will not reduce this risk.

## **ADDITIONAL SAFETY RULES FOR CHARGER & BATTERY CARTRIDGE**

1. Do not charge Battery Cartridge when temperature is **BELOW 10°C (50°F)** or **ABOVE 40°C (104°F)**.
2. Do not attempt to use a step-up transformer, an engine generator or DC power receptacle.
3. Do not allow anything to cover or clog the charger vents.
4. Always cover the battery terminals with the battery cover when the battery cartridge is not used.
5. Do not short the battery cartridge:
  - (1) Do not touch the terminals with any conductive material.
  - (2) Avoid storing battery cartridge in a container with other metal objects such as nails, coins, etc.
  - (3) Do not expose battery cartridge to water or rain.

A battery short can cause a large current flow, overheating, possible burns and even a breakdown.
6. Do not store the tool and Battery Cartridge in locations where the temperature may reach or exceed **50°C (122°F)**.
7. Do not incinerate the Battery Cartridge even if it is severely damaged or is completely worn out. The battery cartridge can explode in a fire.

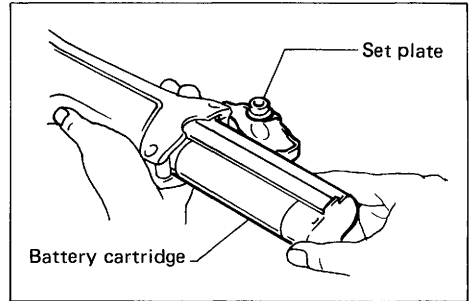
## **ADDITIONAL SAFETY RULES FOR CORDLESS DRILL**

1. Be aware that this tool is always in an operating condition, because it does not have to be plugged into an electrical outlet.
2. Always be sure you have a firm footing.  
Be sure no one is below when using the tool in high locations.
3. Hold the tool firmly.
4. Keep hands away from rotating parts.
5. When drilling into walls, floors or wherever "live" electrical wires may be encountered. **DO NOT TOUCH ANY METAL PARTS OF THE TOOL!**  
Hold the tool by the insulated grasping surfaces to prevent electric shock if you drill into a "live" wire.
6. Do not leave the tool running. Operate the tool only when hand-held.
7. Do not touch the drill bit or the workpiece immediately after operation; they may be extremely hot and could burn your skin.

**SAVE THESE INSTRUCTIONS.**

## Installing or removing battery cartridge

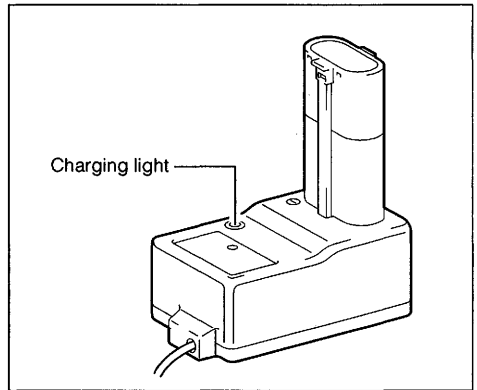
- Always switch off the tool before insertion or removal of the battery cartridge.
- To remove the battery cartridge, pull out the set plate on the tool and grasp both sides of the cartridge while withdrawing it from the tool.
- To insert the battery cartridge, align the tongue on the battery cartridge with the groove in the housing and slip it into place. Snap the set plate back into place. Be sure to close the set plate fully before using the tool.



- Do not use force when inserting the battery cartridge. If the cartridge does not slide in easily, it is not being inserted correctly.

## Charging

1. Plug the battery charger into your power source.
2. Insert the battery cartridge so that the plus and minus terminals on the battery cartridge are on the same sides as their respective markings on the battery charger. Insert the cartridge fully into the port so that it rests on the charger port floor.
3. When the battery cartridge is inserted, the charging light color will flash in red color and charging will begin.
4. When charging is completed, the charging light goes out. The charging time is as follows:  
Battery 7000: approx. 60 minutes.
5. If you leave the battery cartridge in the charger after the charging cycle is complete, the charger will switch into its "trickle charge (maintenance charge)" mode.
6. After charging, remove the battery cartridge from the charger and unplug the charger from the power source.



**CAUTION:**

- The battery charger is for charging Makita battery cartridge. Never use it for other purposes or for other manufacturer's batteries.
- When you charge a new battery cartridge or a battery cartridge which has not been used for a long period of time, it may not accept a full charge. This is a normal condition and does not indicate a problem. You can recharge the battery cartridge fully after discharging it completely and recharging a couple of times.
- When you charge a battery cartridge from a just-operated tool or a battery cartridge which has been left in a location exposed to direct sunlight or heat for a long time, let it cool off. Then re-insert it and try to charge it once more.
- When you charge a new battery cartridge or a battery cartridge which has not been used for a long period, sometimes the charging light will go out soon. If this occurs, remove the battery cartridge and re-insert it. If the charging light goes out within one minute even after repeating this procedure a couple of times, the battery cartridge is dead. Replace it with a new one.

**Trickle charge (Maintenance charge)**

If you leave the battery cartridge in the charger to prevent spontaneous discharging after full charge, the charger will switch into its "trickle charge (maintenance charge)" mode and keep the battery cartridge fresh and fully charged.

**Tips for maintaining maximum battery life**

1. Charge the battery cartridge before completely discharged.  
Always stop tool operation and charge the battery cartridge when you notice less tool power.
2. Never recharge a fully charged battery cartridge.  
Overcharging shortens the battery service life.
3. Charge the battery cartridge with room temperature at 10°C – 40°C (50°F – 104°F).  
Let a hot battery cartridge cool down before charging it.

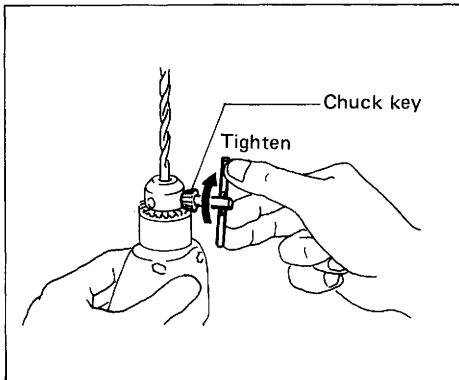
### Installing or removing drill bit or driver bit

#### CAUTION:

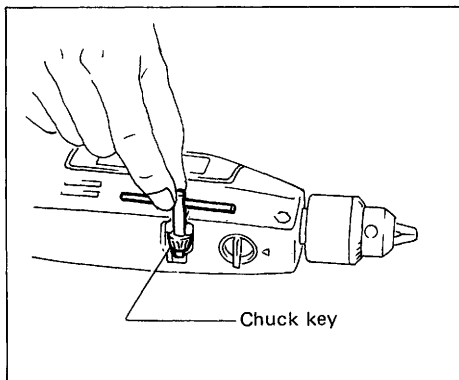
Always be sure that the tool is switched off and the battery cartridge is removed before installing or removing the bit.

To install the bit, place it in the chuck as far as it will go. Tighten the chuck by hand. Place the chuck key in each of the three holes and tighten clockwise. Be sure to tighten all three chuck holes evenly.

To remove the bit, turn the chuck key counterclockwise in just one hole, then loosen the chuck by hand.





After use, return the chuck key to the storage cavity on the tool.

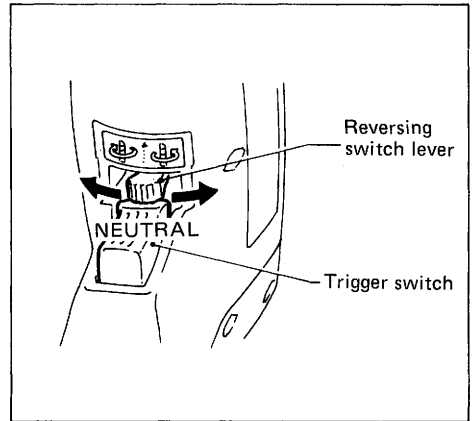




### Switch action

Move the reversing switch lever to the  position for clockwise rotation or the  position for counterclockwise.

To start the tool, simply pull the trigger. Release the trigger to stop. When the reversing switch lever is in the neutral position, the tool will not start even if you pull the trigger.



### CAUTION :

- Before inserting the battery cartridge into the tool, always check to see that the trigger switch actuates properly and returns to the "OFF" position when released.
- Always check the direction of rotation before drilling.
- Use the reversing switch lever only when the tool comes to a complete stop. Changing the direction of rotation before the tool stops may ruin the tool.
- When not operating the tool, keep the reversing switch lever in the neutral position.

### Drilling operation

#### • Drilling in wood

When drilling in wood, best results are obtained with wood drills equipped with a guide screw. The guide screw makes drilling easier by pulling the bit into the workpiece.

#### • Drilling in metal

To prevent the bit from slipping when starting a hole, make an indentation with a center-punch and hammer at the point to be drilled. Place the point of the bit in the indentation and start drilling.

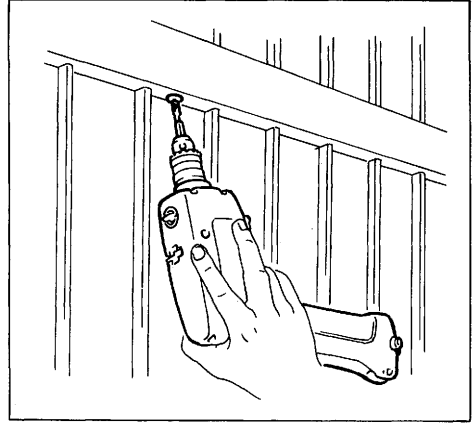
Use a cutting lubricant when drilling metals. The exceptions are iron and brass which should be drilled dry.

### CAUTION :

- Pressing excessively on the tool will not speed up the drilling. In fact, this excessive pressure will only serve to damage the tip of your bit, decrease the tool performance and shorten the service life of the tool.
- There is a tremendous force exerted on the tool/bit at the time of hole break through. Hold the tool firmly and exert care when the bit begins to break through the workpiece.
- A stuck bit can be removed simply by setting the reversing switch to reverse rotation in order to back out. However, the tool may back out abruptly if you do not hold it firmly.
- Always secure small workpieces in a vise or similar hold-down device.

### Screwdriving operation

Place the point of the driver bit in the screw head and apply pressure to the tool. Start the tool. Release the trigger just as the screw bottoms out. If the trigger is not released, the screw may strip out the hole of the screw and/or bit may be damaged.



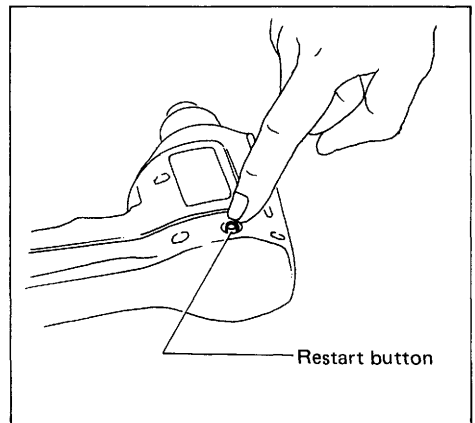
### NOTE:

- Make sure that the driver bit is inserted straight in the screw head, or the screw and/or bit may be damaged.
- When driving wood screws, predrill pilot holes to make driving easier and to prevent splitting of the workpiece. See the chart.

Nominal diameter of wood screw (mm)	Recommended size of pilot hole (mm)
3.1 (1/8")	2.0 – 2.2 (5/64" – 3/32")
3.5 (9/64")	2.2 – 2.5 (3/32" – 3/32")
3.8 (5/32")	2.5 – 2.8 (3/32" – 7/64")
4.5 (11/64")	2.9 – 3.2 (7/64" – 1/8")

### Overload protector

The overload protector automatically cuts out to break the circuit and the button pops out, whenever heavy work is prolonged. Wait 20 – 30 seconds before pressing the restart button to resume operation. Your finger should not be on the trigger when you press the restart button, however.



## **MAINTENANCE**

### **CAUTION:**

Always be sure that the tool is switched off and the battery cartridge is removed before attempting to perform inspection or maintenance.

To maintain product **SAFETY** and **RELIABILITY**, repairs, maintenance or adjustment should be performed by Makita Authorized or Factory Service Centers, always using Makita replacement parts.

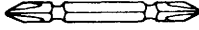
## ACCESSORIES

### CAUTION:

These accessories or attachments are recommended for use with your Makita tool specified in this manual. The use of any other accessories or attachments might present a risk of injury to persons. The accessories or attachments should be used only in the proper and intended manner.

#### • Phillips bit

- 1 per pkg.
- 3 per pkg.
- 5 per pkg.



Part No.	Size	Overall length (mm)
•• 798307-3	No. 1	65 (2-5/8")
• 784229-3	No. 2	45 (1-3/4")
•• 798308-1		
•• 798330-6		82 (3-1/4")
• 784230-8		65 (2-5/8")
•• 798309-9		
• 784234-0		110 (4-3/8")
••• 798337-4		
•• 784207-3		150 (5-8/8")
• 784221-9		250 (10")

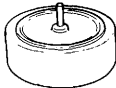
#### • Rubber pad assembly

Part No. 123001-2



#### • Foam polishing pad 125

Part No. 794159-0



#### • Wool bonnet 100

Part No. 794172-8



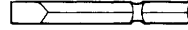
#### • Chuck key S10

Part No. 763418-3



#### • Slotted bit

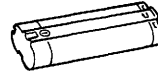
(3 per pkg.)



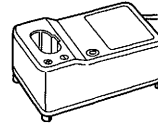
Part No.	A (mm)	B (mm)	Overall length (mm)
798301-5	0.6 (.024")	5.0 (3/16")	45 (1-3/4")
798298-8	0.8 (.31")	6.0 (1/4")	70 (2-3/4")
798335-8		5.0 (3/16")	82 (3-1/4")
798299-6	1.0 (.039")	6.35 (1/4")	45 (1-3/4")
	1.2 (0.05")	8.0 (5/16")	45 (1-3/4")
			70 (2-3/4")

#### • Battery cartridge 7000

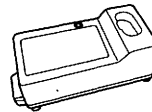
Part No. 191679-9



#### • Battery charger Model DC9710



#### • Automotive charger Model DC1412



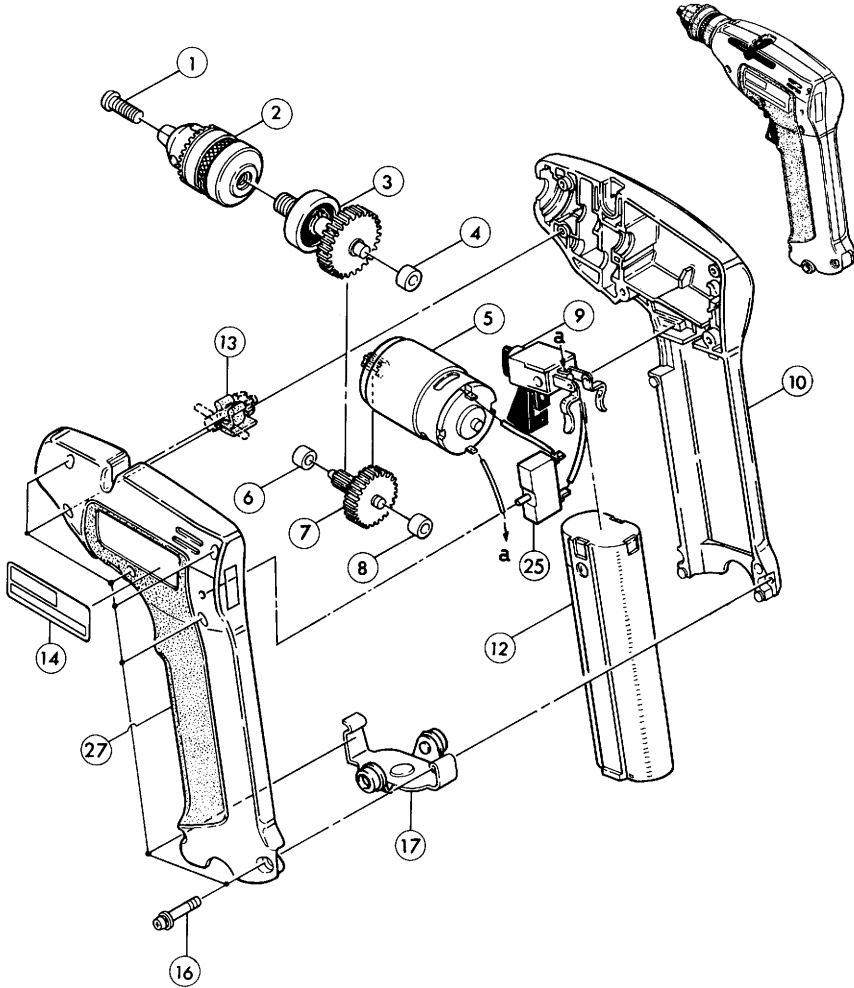
#### • Battery cover

Part No. 414938-7



# 10 mm (3/8") CORDLESS DRILL Model 6010D

Type1



Note: The switch and other part configurations may differ from country to country.

ITEM NO.	NO. USED	DESCRIPTION	ITEM NO.	NO. USED	DESCRIPTION
<u>MACHINE</u>			<u>MACHINE</u>		
1	1	Pan Head Screw M5x18	10	1	Housing Set (With Item 27)
2	1	Drill Chuck S10	12	1	Battery 7000
3	1	Gear	13	1	Holder 6
4	1	Plane Bearing 5	14	1	Name Plate
5	1	DC Motor 7.2 V.	16	7	Pan Head Screw M4x22 (With Washer)
6	1	Plane Bearing 3	17	1	Set Plate
7	1	Gear 13-58	25	1	Over Current Relay
8	1	Plane Bearing 3	27	1	Housing Set (With Item 10)
9	1	Switch			

Note: The switch and other part specifications may differ from country to country.



**Makita Corporation**

Anjo, Aichi Japan

Made in Japan

883541J9