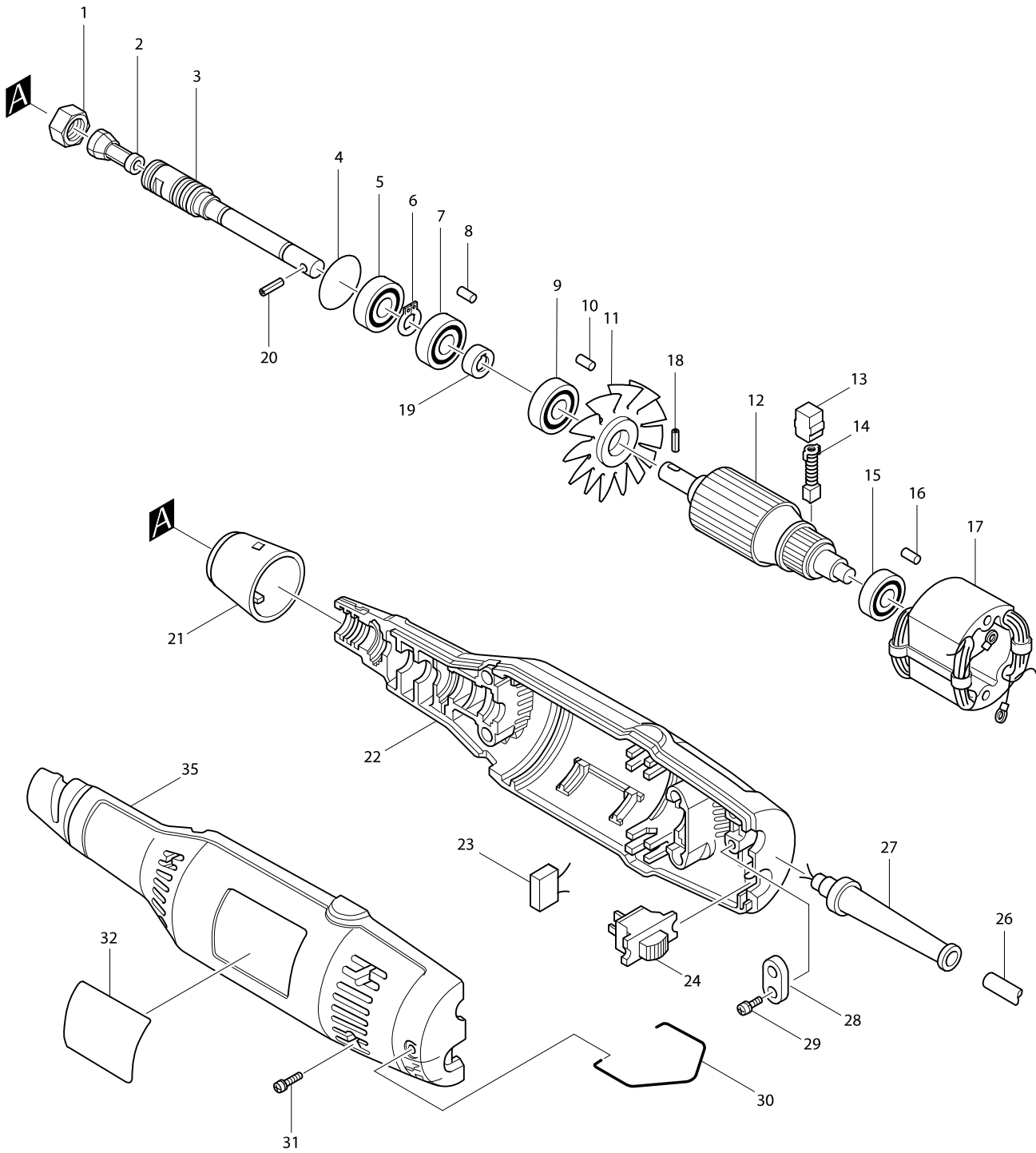


Model No. 906 DIE GRINDER



Model No. 906 DIE GRINDER

Item	Parts No.	Description	I/C	Qty	N/O	Sales	Purch.	Note
001	763606-2	COLLET NUT 6		1	*			
001-1	763240-8	COLLET NUT 6	<	1				
002A	763620-8	COLLET CONE 6MM		1				
002-1B	763620-8	COLLET CONE 6MM	X	1				
003	321194-1	SPINDLE		1				
004	213373-4	O RING 22		1				
005	211033-2	BALL BEARING 608LB		1	*			
005-1	211031-6	BALL BEARING 608LLB	<	1				
006	961004-6	RETAINING RING S-8		1				
007	211033-2	BALL BEARING 608LB		1				
008	263002-9	RUBBER PIN 4		1				
009	211033-2	BALL BEARING 608LB		1	*			
009-1	211031-6	BALL BEARING 608LLB	O	1				
010	263002-9	RUBBER PIN 4		1				
011	241100-9	FAN 52		1				
012A_B	511401-2	ARMATURE ASS'Y 115V		1				
D10		INC. 9,11,15						
012C_A	511403-8	ARMATURE ASS'Y 220V		1				
D10		INC. 9,11,15						
013	643552-4	BRUSH HOLDER 5-8		2				
014C_	191627-8	CARBON BRUSH CB-64		1				
015	211028-5	BALL BEARING 627LB		1				
016	263002-9	RUBBER PIN 4		1				
017A_B	521386-4	FIELD ASS'Y 115V		1				
C10	654002-4	TERMINAL 1.25-M4		2				
017C_A	521388-0	FIELD ASS'Y 220V		1				
C10	654002-4	TERMINAL 1.25-M4		2				
018-1	951057-3	SPRING PIN 3-12		1				
019-4	410986-4	COUPLING		1	*			
019-5	456337-7	COUPLING	O	1				
020-1	951057-3	SPRING PIN 3-12		1				
021	341553-3	CAP		1				
022	181675-5	HOUSING SET		1				
D10		INC. 8,10,16,35						
024A	651603-9	SWITCH SS106A-5		1				
024A_B	651600-5	SWITCH SS106A		1				
026K_B	664013-1	POWER SUPPLY CORD AWG#18-2-2.5		1				
026V_A	692021-2	POWER SUPPLY CORD 1.0-2-2.5		1				
027	682500-8	CORD GUARD 8.5-72		1				
028	687001-1	STRAIN RELIEF		1				
029-1	911133-5	PAN HEAD SCREW M4X18		2				
030	321193-3	HANGER		1				
031	911148-2	PAN HEAD SCREW M4X25		4				
032	815460-1	NAME PLATE 906		1	*			
032-1	814R99-5	NAME PLATE 906	<	1	*			
032-2	814R99-5	NAME PLATE 906	O	1				
035	181675-5	HOUSING SET		1				
D10		INC. 8,10,16,22						

