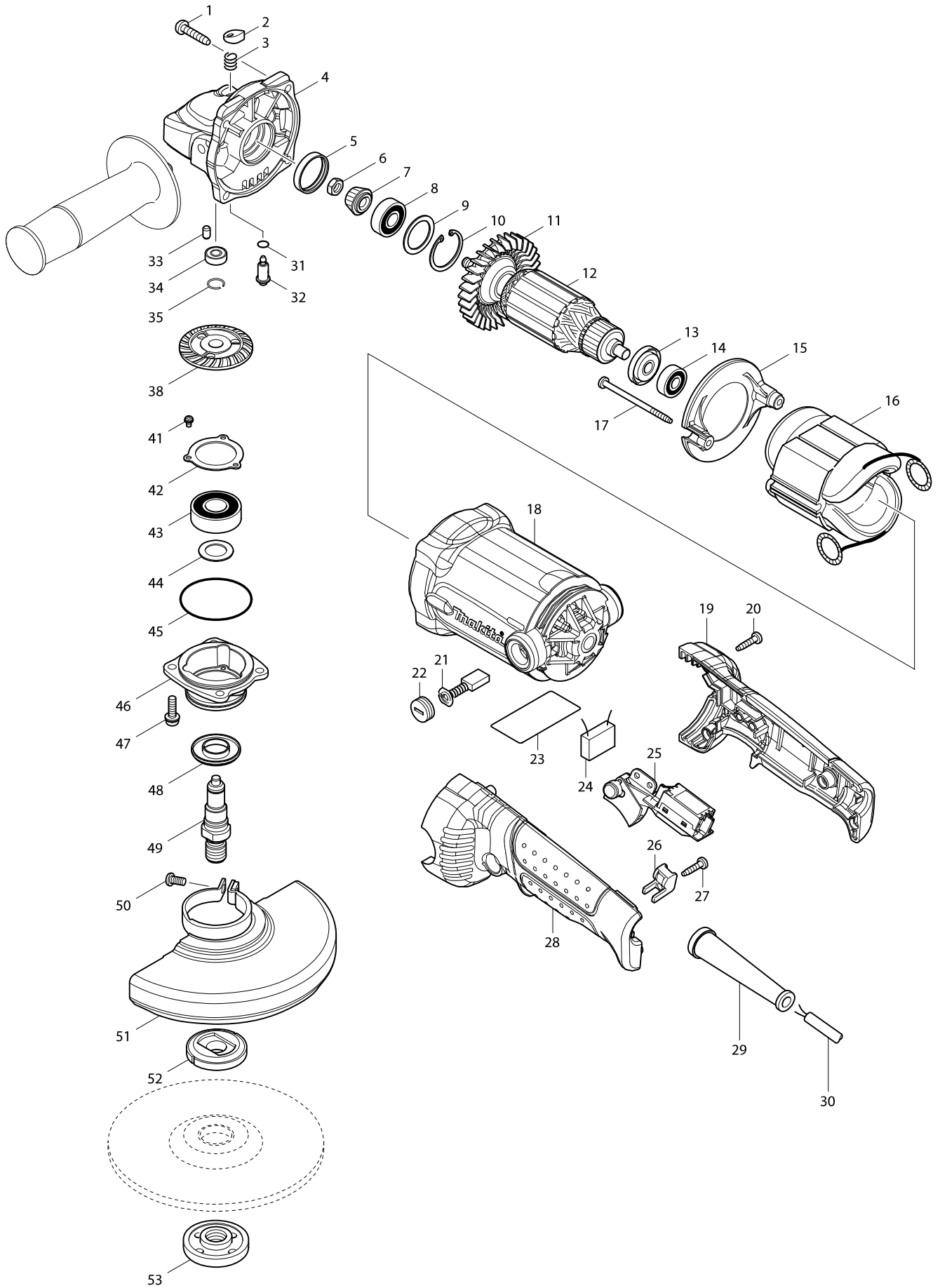


Model No. GA6010 ANGLE GRINDER 150MM



Model No. GA6010 ANGLE GRINDER 150MM

Item	Parts No.	Description	I/C	Qty	N/O	Sales	Purch.	Note
001A	266041-8	TAPPING SCREW 5X25		4	*			
001-1A	266459-3	TAPPING SCREW 5X25	O	4				
001-1B	266459-3	TAPPING SCREW 5X25		4				
002	417771-6	PIN CAP		1				
003A	231037-8	COMPRESSION SPRING 7		1	*			
003-1A	234057-1	COMPRESSION SPRING 8	<	1				
003-1B	234057-1	COMPRESSION SPRING 8		1				
004	318158-4	GEAR HOUSING		1				
005	262132-3	RUBBER RING 27		1				
006	264010-3	HEX.NUT M7		1				
007	227520-1	SPIRAL BEVEL GEAR 11		1				
008A	211088-7	BALL BEARING 6000DDW		1	*			
008-1A	210059-1	BALL BEARING 6000DDW	<	1				
008-1B	210059-1	BALL BEARING 6000DDW		1				
009	267352-4	FLAT WASHER 22		1				
010	962107-9	RETAINING RING (INT) R-30		1				
011	240094-5	FAN 70		1				
D10		INC. 11,13,14						
012A	518664-1	ARMATURE ASSEMBLY 220V		1				
012B	518663-3	ARMATURE ASS'Y 115V		1				
013	681644-1	INSULATION WASHER		1				
014	210044-4	BALL BEARING 608DDW		1				
015	419961-7	BAFFLE PLATE		1				
C10	654020-2	RING TERMINAL		2				
C20	654501-6	CONNECTOR P-1.25		2				
016A	525768-2	FIELD ASS'Y 220-240V		1				
016B	528808-5	FIELD ASS'Y 115V		1				
017	266340-8	TAPPING SCREW 4X65		2				
018	158278-0	MOTOR HOUSING COMPLETE		1				
C10	643708-9	BRUSH HOLDER 5-11		2				
019	188291-4	HANDLE SET		1				
D10		INC. 28						
020	266326-2	TAPPING SCREW 4X18		4				
021	191963-2	CARBON BRUSH CB-303		1				
022	643750-0	BRUSH HOLDER CAP 7-11		2				
023	863605-5	GA6010 NAME PLATE		1				
025	651193-2	SWITCH TG933TR-1		1				
026	687260-7	STRAIN RELIEF		1				
027	266326-2	TAPPING SCREW 4X18		1				
028	188291-4	HANDLE SET		1				
D10		INC. 19						
029A	682503-2	CORD GUARD 8-90		1				
029B	682574-9	CORD GUARD 10-90		1				
030A	692021-2	POWER SUPPLY CORD 1.0-2-2.5		1				
030B	664265-4	POWER SUPPLY CORD AWG#16-2-2.5		1				
031	213977-2	O RING 7		1				
032	256505-0	SHOULDER PIN 5		1				
033	263002-9	RUBBER PIN 4		1				

Model No. GA6010 ANGLE GRINDER 150MM

Item	Parts No.	Description	I/C	Qty	N/O	Sales	Purch.	Note
034	210033-9	BALL BEARING 696ZZ		1				
035	233950-6	RING SPRING 11		1				
038	227521-9	SPIRAL BEVEL GEAR 35A		1				
041	911003-8	PAN HEAD SCREW M3X6		3				
042	285728-3	BEARING RETAINER 39		1				
043	211241-5	BALL BEARING 6202DDW		1				
044	253853-8	FLAT WASHER 15		1				
045	213624-5	O RING 48		1				
046A	318159-2	BEARING BOX		1	*			
046-1A	318300-7	BEARING BOX	<	1				
046-1B	318300-7	BEARING BOX		1				
047	265131-4	PAN HEAD SCREW M5X18		4				
048	345464-4	LABYRINTH RING		1				
049	324786-5	SPINDLE		1				
050A	265103-9	PAN HEAD SCREW M5X14		1	*			
050-1A	265180-1	PAN HEAD SCREW M5X16	<	1				
050-1B	265180-1	PAN HEAD SCREW M5X16		1				
051A	165489-0	WHEEL COVER 150		1	*			
051-1A	135169-2	WHEEL COVER 150 ASSY	<	1	*			
D10		INC. 50			*			
051-2A	135192-7	WHEEL COVER 150 ASSEMBLY	<	1				
D10		INC. 50						
051-2B	135192-7	WHEEL COVER 150 ASSEMBLY		1				
D10		INC. 50						
052	224415-9	INNER FLANGE 42		1				
053	224554-5	LOCK NUT 14-45		1				
A01	153504-2	GRIP 36 COMPLETE		1				
A02	782423-1	LOCK NUT WRENCH 35		1				