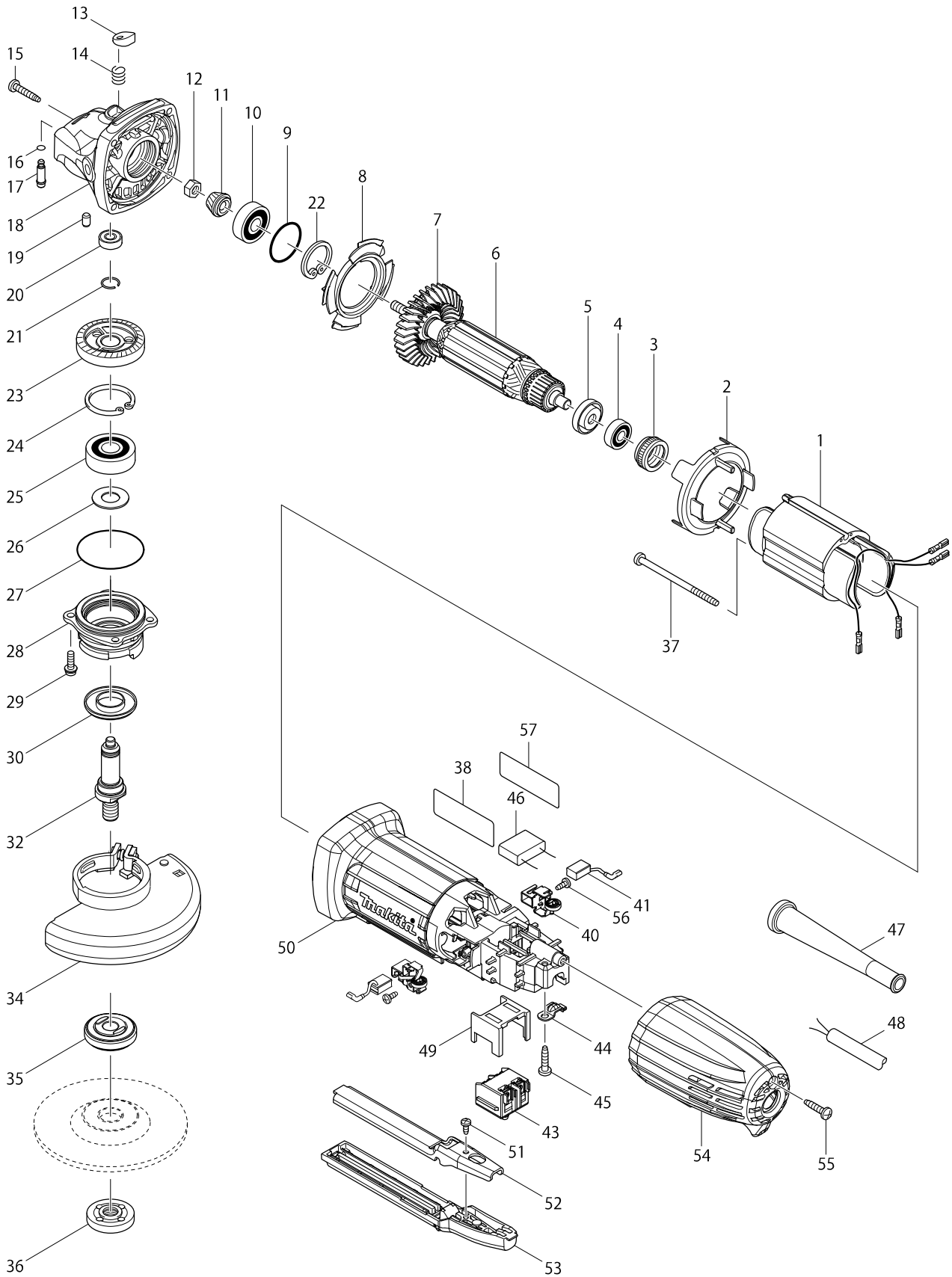


Model No. GA4034 100MM ANGLE GRINDER



Model No. GA4034 100MM ANGLE GRINDER

| Item | Parts No. | Description | I/C | Qty | N/O | Sales | Purch. | Note |
|--------|-----------|--------------------------|-----|-----|-----|-------|--------|------|
| 001A | 623533-4 | FIELD 220-240V | | 1 | * | | | |
| 001B | 623531-8 | FIELD 115V | | 1 | * | | | |
| 001-1A | 635113-4 | FIELD 220-240V | O | 1 | | | | |
| 001-1B | 635111-8 | FIELD 115V | O | 1 | | | | |
| 002 | 450796-7 | BAFFLE PLATE | | 1 | | | | |
| 003 | 421868-5 | LABYRINTH RUBBER RING 19 | | 1 | | | | |
| 004 | 210034-7 | BALL BEARING 607LLB | | 1 | | | | |
| 005 | 681636-0 | INSULATION WASHER | | 1 | | | | |
| D10 | | INC. 4,5,7 | | | | | | |
| 006A | 518559-8 | ARMATURE ASS'Y 220V | | 1 | | | | |
| 006B | 517646-0 | ARMATURE ASS'Y 115V | | 1 | | | | |
| 007 | 240107-2 | FAN 56 | | 1 | * | | | |
| 007-1 | 240139-9 | FAN 56 | O | 1 | | | | |
| 008 | 413126-3 | GUIDE PLATE | | 1 | | | | |
| 009 | 213445-5 | O-RING 26 | | 1 | | | | |
| 010 | 211092-6 | BALL BEARING 629DDW | | 1 | | | | |
| 011 | 227545-5 | SPIRAL BEVEL GEAR 10 | | 1 | | | | |
| 012 | 252186-8 | HEX. NUT M6 | | 1 | | | | |
| 013 | 417771-6 | PIN CAP | | 1 | | | | |
| 014 | 234057-1 | COMPRESSION SPRING 8 | | 1 | | | | |
| 015 | 266324-6 | TAPPING SCREW 4X22 | | 4 | | | | |
| 016 | 213032-0 | O RING 4 | | 1 | | | | |
| 017 | 256510-7 | SHOULDER PIN 4 | | 1 | | | | |
| 018 | 318335-8 | GEAR HOUSING | | 1 | | | | |
| 019 | 263002-9 | RUBBER PIN 4 | | 1 | | | | |
| 020 | 210033-9 | BALL BEARING 696ZZ | | 1 | | | | |
| 021 | 233950-6 | RING SPRING 11 | | 1 | | | | |
| 022 | 962105-3 | RETAINING RING R-26 | | 1 | | | | |
| 023 | 227546-3 | SPIRAL BEVEL GEAR 37 | | 1 | | | | |
| 024 | 962151-6 | RETAINING RING R-32 | | 1 | | | | |
| 025 | 211129-9 | BALL BEARING 6201DDW | | 1 | | | | |
| 026 | 267113-2 | FLAT WASHER 12 | | 1 | | | | |
| 027 | 213561-3 | O RING 42 | | 1 | | | | |
| 028 | 318336-6 | BEARING BOX | | 1 | | | | |
| 029 | 265099-4 | PAN HEAD SCREW M4X14 | | 4 | | | | |
| 030 | 345464-4 | LABYRINTH RING | | 1 | | | | |
| 032 | 324956-6 | SPINDLE | | 1 | | | | |
| 034 | 122885-5 | WHEEL COVER 100K ASS'Y | | 1 | * | | | |
| C10 | 213009-5 | O RING 4 | | 1 | * | | | |
| C20 | 265180-1 | PAN HEAD SCREW M5X16 | | 1 | * | | | |
| 034-1 | 125885-4 | WHEEL COVER 100AK ASS'Y | < | 1 | | | | |
| C10 | 213009-5 | O RING 4 | | 1 | | | | |
| C20 | 265180-1 | PAN HEAD SCREW M5X16 | | 1 | | | | |
| 035 | 224314-5 | INNER FLANGE 30 | | 1 | | | | |
| 036 | 224559-5 | LOCK NUT 10-30 | | 1 | | | | |
| 037 | 266325-4 | TAPPING SCREW 4X70 | | 2 | | | | |
| 038 | 867608-1 | GA4034 NAME PLATE | | 1 | | | | |
| 040 | 643839-4 | BRUSH HOLDER 6X9 | | 2 | | | | |

