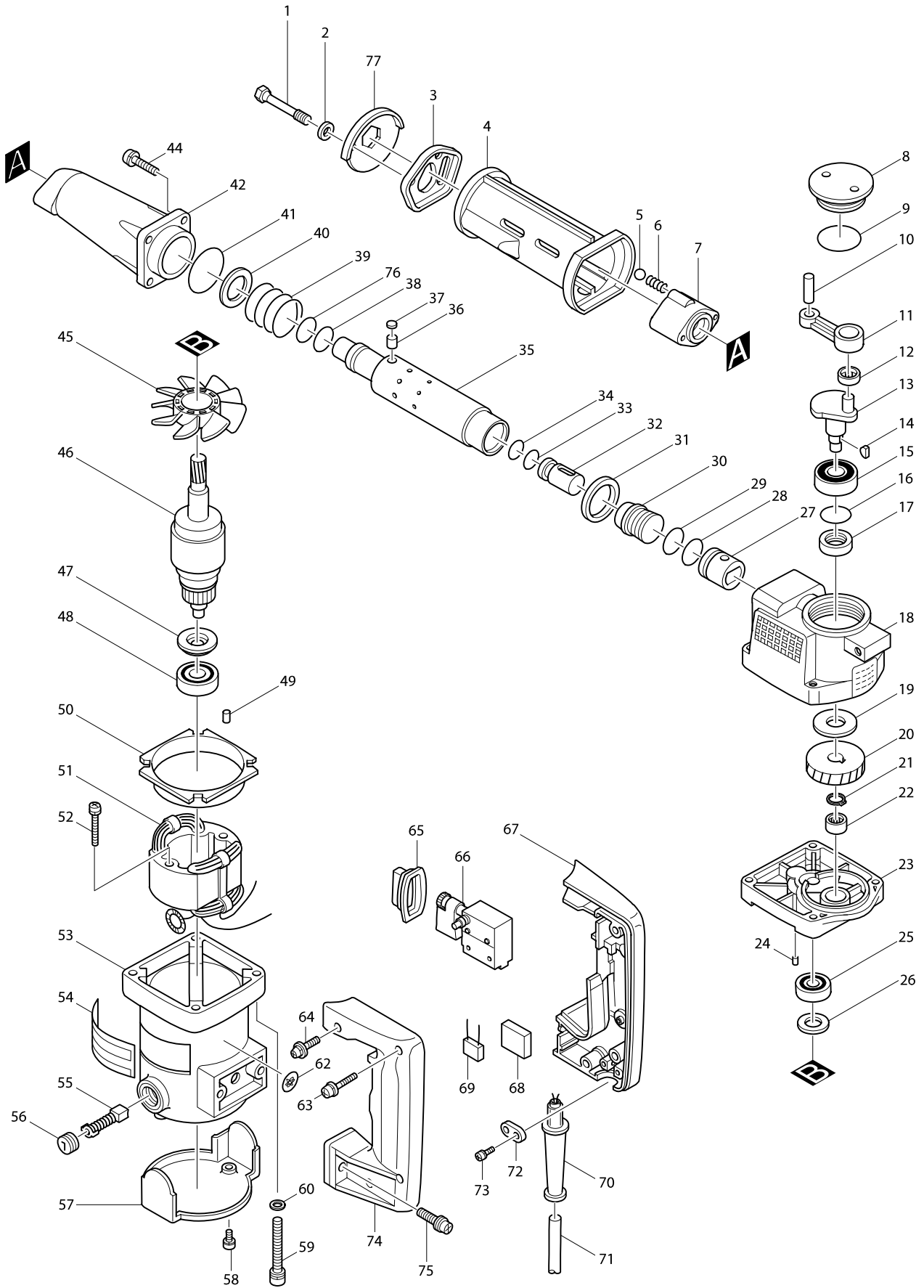


# Model No. HK1810 POWER SCRAPER



# Model No. HK1810 POWER SCRAPER

Item	Parts No.	Description	I/C	Qty	N/O	Sales	Purch.	Note
001-3	265393-4	HEX. BOLT M6X49		2	*			
001-4	265393-4	HEX. BOLT M6X49	O	2				
002	267017-8	FLAT WASHER 8		2				
003	342910-8	TOOL RETAINER		1				
004-1	414175-3	BARREL COVER		1				
005	216011-7	STEEL BALL 5.6		1				
006	231403-9	COMPRESSION SPRING 3		1				
007-1	321859-5	TOOL HOLDER		1				
008	410734-1	CRANK CAP		1				
009	213554-0	O RING 44		1				
010	256099-5	PIN 6		1				
011	315146-2	ROD		1				
012	212025-4	NEEDLE BEARING 810		1	*			
012-1	212017-3	NEEDLE BEARING 810	X	1				
013	321855-3	CRANK SHAFT		1				
014	254031-3	WOODRUFF KEY 3		1				
015-1	211201-7	BALL BEARING 6002LLB	O	1	*			
015-2	211232-6	BALL BEARING 6002LLU	X	1				
016	213459-4	O RING 32		1				
017	213219-4	OIL SEAL 15		1				
018-3	159532-5	CRANK HOUSING		1				
C10	810734-5	CAUTION LABEL		1				
C20	911111-5	PAN HEAD SCREW M4X10		2				
C30	343518-1	DUST COVER		2				
D10		INC. 16						
019	253887-1	FLAT WASHER 15		1				
020	221745-9	HELICAL GEAR 36		1				
021	961052-5	RETAINING RING S-12		1				
022	212052-1	NEEDLE BEARING 1010		1				
023-1	157782-6	GEAR HOUSING		1				
024	263005-3	RUBBER PIN 6		1				
025	211101-1	BALL BEARING 6001LLB		1				
026	253748-5	FLAT WASHER 12		1				
027	321685-2	PISTON		1				
028	213308-5	O RING 19		1				
029	213308-5	O RING 19		1				
030	321854-5	STRIKER		1				
031	257117-2	RING 28		1				
032	321856-1	IMPACT BOLT		1	*			
032-1	324680-1	IMPACT BOLT	<	1				
033	213111-4	O RING 12		1				
034	213111-4	O RING 12		1				
035	321857-9	CYLINDER LINER 24		1				
036	256156-9	PIN 6		2				
037	423122-3	CUSHION PLATE		2				
038	213309-3	O RING 19		1				
039	231395-2	COMPRESSION SPRING 24		1				
040	267026-7	FLAT WASHER 25		1				

# Model No. HK1810 POWER SCRAPER

Item	Parts No.	Description	I/C	Qty	N/O	Sales	Purch.	Note
041	213512-6	O RING 39		1				
042-1	315838-3	BARREL		1				
044-1	922341-3	HEX. SOCKET HEAD BOLT M6X25		4				
045	241820-5	FAN 67		1				
046C2	512853-0	ARMATURE ASS'Y 220V		1				
D10		INC. 25,26,45,47,48						
047	681625-5	INSULATION WASHER		1				
048	211033-2	BALL BEARING 608LB		1				
049	263014-2	RUBBER PIN 4		1				
050	410578-9	BAFFLE PLATE		1				
051C2	522653-0	FIELD ASS'Y 220V		1				
C10	654019-7	RING TERMINAL		2				
C20	654501-6	CONNECTOR P-1.25		2				
052-1	911265-8	PAN HEAD SCREW M5X40		2				
053	157553-1	MOTOR HOUSING		1				
C10	643603-3	BRUSH HOLDER 6-10		2				
D10		INC. 49						
054	855557-4	NAME PLATE HK1810		1				
055	181038-5	A.C. CARBON BRUSH CB-105		1				
056	643600-9	BRUSH HOLDER CAP 6-10		2				
057-1	343390-1	REAR COVER		1				
058	911211-1	PAN HEAD SCREW M5X12		2				
059-2	265923-1	HEX. SOCKET HEAD BOLT M6X45		4	*			
059-3	266252-5	HEX. SOCKET HEAD BOLT M6X45	X	4				
061	941152-7	FLAT WASHER 6		4	*			
063	911243-8	PAN HEAD SCREW M5X25		3				
064	911328-0	PAN HEAD SCREW M6X18		2				
065	421145-5	DUST COVER		1				
066A2	651258-0	SWITCH SGE106CV-1A		1				
067	181562-8	HANDLE SET		1				
D10		INC. 74						
070A_	682503-2	CORD GUARD 8-90		1	*			
070A1	682567-6	CORD GUARD 8	X	1				
071T_	692037-7	POWER SUPPLY CORD 1.0-2-5.0		1				
072	687001-1	STRAIN RELIEF		1				
073-1	911133-5	PAN HEAD SCREW M4X18		2				
074	181562-8	HANDLE SET		1				
D10		INC. 67						
075	911343-4	PAN HEAD SCREW M6X25		2				
076	213309-3	O RING 19		1				
077	421336-8	DUST COVER		1				
401	798264-5	SCALING CHISEL 50-150		1	*			
401-1	B-07347	SCALING CHISEL 50-150	O	1				
402	798266-1	BULL POINT 13-220		1	*			
402-1	B-06921	BULL POINT 12-220	O	1				
403	798265-3	SCALING CHISEL 30-150		1	*			
403-1	B-07331	SCALING CHISEL 30-150	O	1				
404-4	182620-3	STEEL CARRYING CASE		1	*			

